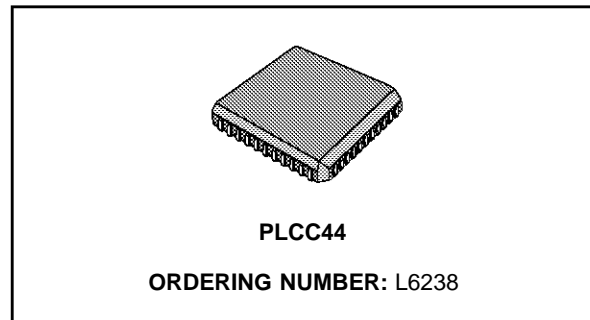


SENSORLESS SPINDLE MOTOR CONTROLLER

PRODUCT PREVIEW

- 2.5A, THREE-PHASE OUTPUT DRIVE
- PRECISION DIGITAL PLL
- FULLY-INTEGRATED ALIGN + GO START-UP ALGORITHM
- DIGITAL BEMF PROCESSING
- MASTER/SLAVE SYNCHRONIZATION
- BIDIRECTIONAL SERIAL PORT
- STAND ALONE OR EXT. DRIVER
- SHOOT-THROUGH PROTECTION



DESCRIPTION

The L6238 is a complete Three-Phase, D.C. Brushless Spindle Motor Driver system. The device features both the Power and Control Sections and will operate Stand Alone, or can be used in Higher Power Applications with the addition of an external Linear Driver.

Start-Up can be achieved with the Fully-Integrated Align + GO Algorithm or may be sequenced manually for User-Defined start-up algo-

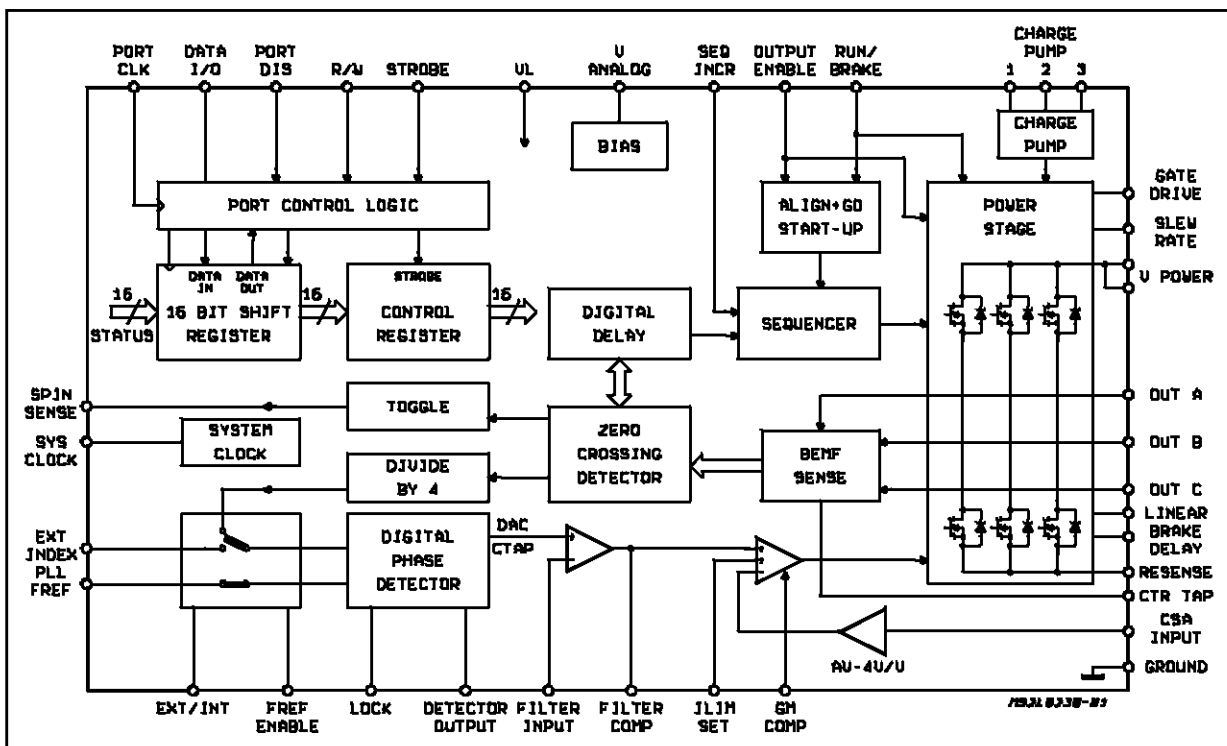
rithms.

A Digital PLL provides high accuracy and the capability to do Master/Slave Synchronization for Disk Array configurations.

Programmable functions include commutation Timing Adjustment and Slew Rate Control for peak efficiency and minimum noise.

Protective features include Stuck Rotor/Backward Rotation Detection and Automatic Thermal Shut-down.

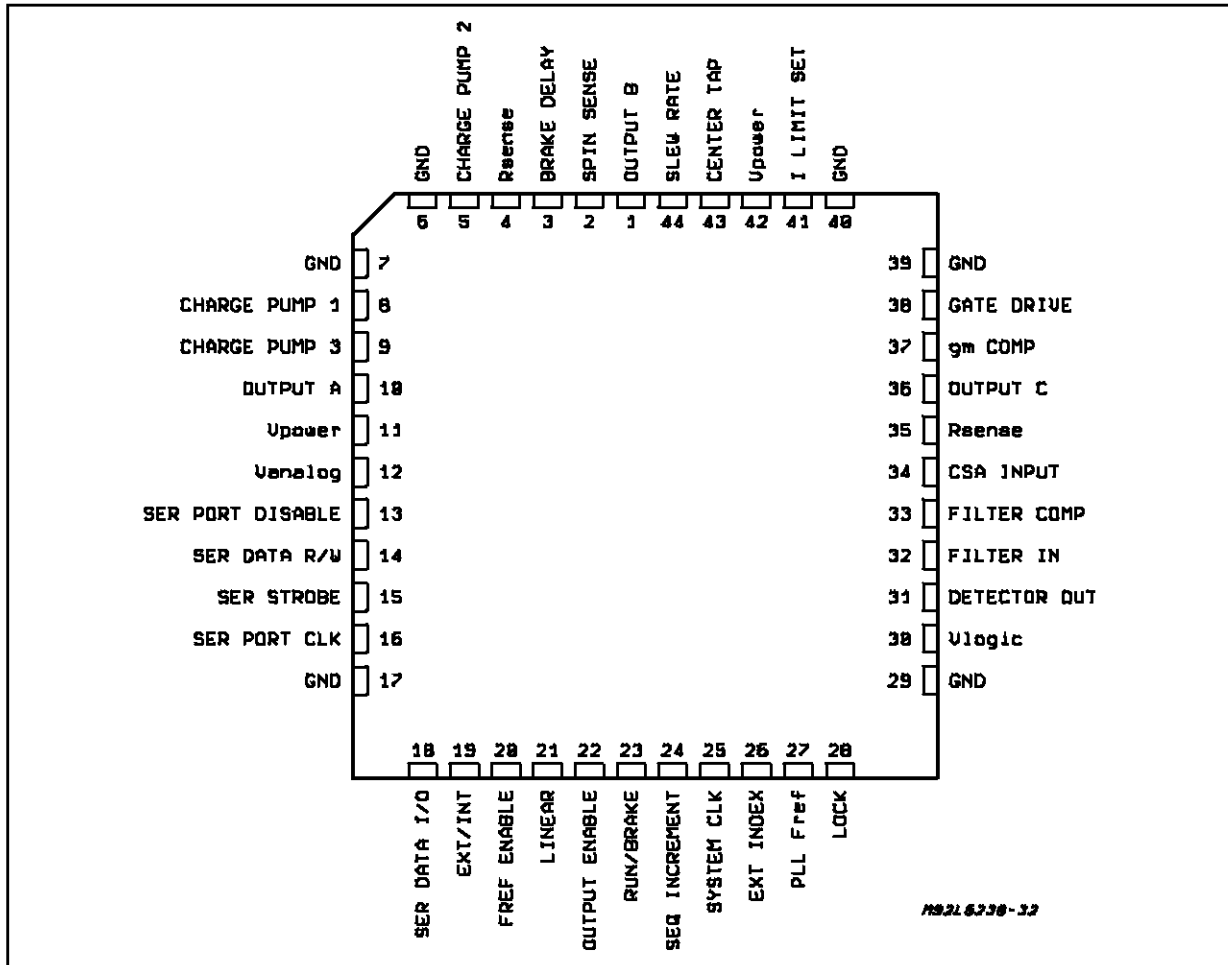
BLOCK DIAGRAM



ABSOLUTE MAXIMUM RATINGS

Symbol	Parameter	Value	Unit
BV_{dss}	Output Brakdown Voltage	17	V
V_{Power}	Motor Supply Voltage	15	V
V_{Logic}	Logic Supply Voltage	7	V
V_{Analog}	Analog Supply Voltage	15	V
V_{in}	Input Voltage	-0.3 to 7	V
I_{mdc}	Peak Motor Current (DC)	3	A
I_{mpk}	Peak Motor Current (Pulsed: $T_{on} = 5ms$, d.c. = 10%)	5	A
P_{tot}	Power Dissipation at $T_{amb} = 50^{\circ}C$	2.5	W
T_s	Storage and Junction Temperature	-40 to 150	$^{\circ}C$

PIN CONNECTION (Top view)



THERMAL DATA

Symbol	Parameter	Value	Unit
$R_{th(j-pin)}$	Thermal Resistance Junction-Pin	7	$^{\circ}C/W$
$R_{th(j-amb)}$	Thermal Resistance Junction-Ambient (Float.)	68	$^{\circ}C/W$
$R_{th(j-amb)}$	Thermal Resistance	34	$^{\circ}C/W$

GENERAL DESCRIPTION

The L6238 is an integrated circuit that will be used to commutate and speed control a 3-Phase, 8-pole, brushless, DC motor. The primary application is for disk drive spindle motors. This I.C. has the following features:

- No Motor Hall Effect Sensors are required for commutation or speed control. Timing information is determined from the B_{emf} voltage of the undriven motor terminal.
 - On-board Speed Control via a Phase Locked Loop that accepts a once-per-rev reference frequency and locks the motor to that frequency. The L6238 can accommodate a wide range of speeds.
 - The L6238 achieves Spindle Synchronization by locking to a once-per-rev reference that is common to multiple drives. The L6238 has a multiplexer that enhances the versatility of the controller. This first multiplexer selects either internal feedback, (generated by the B_{emf} of the motor), or external feedback (embedded index).
 - An External P-Channel FET can be connected to the FET can be connected to the FET Bridge for Higher Power Applications.
- In this configuration, the internal DMOS drivers are sequenced in full conduction state and the external PFET is the linear control element. An internal inverting buffer from the output of the OTA controls the conduction of the EXT PFET.
 - An internal Virtual Center Tap is used if the motor center tap is not connected.
 - The motor Current Limit can be set by an external resistor divider.
 - A Serial Port is included so that I/O can be done with a minimum of pins. Key control and status lines are also bonded out to achieve a Minimum Configuration without using the Serial Port.
 - Programmable Functions include Phase Switch Timing Optimization for motor efficiency, Speed Lock Threshold, Auto-Start or mP Supervised Spinup, and output current limiting gain.
 - Energy Recovery Mode for Head Retraction, followed by Dynamic Braking Mode.
 - Logic signals are CMOS Compatible.
 - Stuck Rotor and Backward Rotation detection.
 - Automatic Thermal Shutdown with early warning bit available in the status register

PIN FUNCTIONS

N.	Name	I/O	Function
1	OUTPUT B	I/O	DMOS Half Bridge Output and Input B for B _{emf} sensing.
2	SPIN SENSE	O	Toggless at each Zero Crossing of the B _{emf} .
3	BRAKE DELAY	I	Energy Recovery time constant, defined by external R-C to ground.
4	R _{sense}	O	Outputs A+B connections for the Motor Current Sense Resistor to ground
5	CHARGE PUMP 2	I	Negative Terminal of Pump Capacitor.
6, 7, 17, 29, 39, 40	GROUND	I	Ground terminals.
8	CHARGE PUMP 1	I	Positive terminal of Pump Capacitor.
9	CHARGE PUMP 3	I	Positive terminal of Storage Capacitor.
10	OUTPUT A	I/O	DMOS Half Bridge Output and Input A for B _{emf} sensing.
11, 42	V _{power}	I	Supplies the voltage for the Power Section.
12	V _{analog}	I	12V supply.
13	SER PORT DISABLE	I	Input for tri-stating the serial port.
14	SER DATA R/W	I	Selects Serial Data Read or Write Function.
15	SER STROBE	I	Dtat Strobe Input.
16	SER PORT CLK	I	Clock for Serial Data Control.
18	SER DATA I/O	I/O	Data stream Input/Output for Control/Status Registers.
19	EXT/INT	I	Selects thr Internal BEMF Zero Crossing or an External Source as Feedback Frequency for te PLL.
20	FREF ENABLE	I	A zero on this pin passes the PLL Fref signal to the Freq/phase detector.
21	LINEAR	I	This input should be grounded or left unconnected.
22	OUTPUT ENABLE	I	Tristates Power Output Stage when a logic zero.

PIN FUNCTIONS (continued)

N.	Name	I/O	Function
23	RUN/BRAKE	I	Rising edge will initiate start-up. A Braking routine is started when this input is brought low.
24	SEQ INCREMENT	I	A low to high transition on this pin increments the Output State Sequencer.
25	SYSTEM CLK	I	Clock Frequency for the system timer/counters.
26	EXT INDEX	I	External Source of Feedback for the PLL.
27	PLL Fref	I	Reference Frequency for the PLL.
28	LOCK	O	High when the PLL is phase_locked.
30	Vlogic	I	Logic power supply.
31	DETECTOR OUT	O	Output of Frequency/Phase Detector.
32	FILTER IN	I	Filter Input.
33	FILTER COMP	O	Filter output and compensation.
34	CSA INPUT	I	Input to the Current Sense Amplifier.
35	Rsense	O	Output C connection for the Motor Current Sense Resistor to ground.
36	OUTPUT C	I/O	DMOS Half Bridge Output and Input C for BEMF sensing.
37	gm COMP	I	A series RC network to ground that defines the compensation of the Transconductance Loop.
38	GATE DRIVE	I/O	Drives the Gate of the External P Channel DMOS Driver for Higher Power Applications. This pin must be grounded if an external driver is not used.
41	I LIMIT SET	I	A voltage applied to this pin, in conjunction with the value for the external Motor Current Sensing resistor, defines the maximum Motor Current.
43	CENTER TAP	I	Motor Center Tap used for differential BEMF sensing. If the center tap of the Motor is not brought out, a virtual center tap is integrated and available at this pin.
44	SLEW RATE	I	A resistor connected to this pin sets the Voltage Slew Rate of the Output Drivers.

ELECTRICAL CHARACTERISTICS (Refer to the test circuit, unless otherwise specified.)

Symbol	Parameter	Test Condition	Min.	Typ.	Max.	Unit
POWER SECTION						
V_{Power}	Motor Supply		10.5	12	13.5	V
$R_{DS(on)}$	Output ON Resistance	$T_j = 25^\circ\text{C}$ $T_j = 125^\circ\text{C}$		0.25	0.33 0.50	Ω Ω
$I_{o(leak)}$	Output Leakage Current				1	mA
V_F	Body Diode Forward Drop	$I_m = 2.0\text{A}$			1.5	V
dV_o/dt	Output Slew Rate	$R_{slew} = 100\text{K}\Omega$		0.30		V/ μs
$I_{m(max)}$	Motor Current Limit (Note 1)	$R_s = 0.33\Omega$ $I_{lim} \text{ Gain} = 0$ $I_{lim} \text{ Gain} = 1$	TBD TBD	0.75 0.38	TBD TBD	A/V A/V
I_{gt}	Gate Drive for Ext. Power DMOS	$I_{LIMSET} = 5\text{V}$ $I_{lim} \text{ Gain} = 0$ $V_{33} = 0\text{V}, V_{38} = 5\text{V}$	5			mA
T_{sd}	Shut Down Temperature		150		180	$^\circ\text{C}$
T_{hys}	Recovery Temperature Hysteresis			30		$^\circ\text{C}$
T_{ew}	Early Warning Temperature			$T_{sd}-25$		$^\circ\text{C}$
I_{snsin}	Current Sense Amp Input Bias Current				10	μA
G_V	Current Sense Amp Voltage Gain		3.8	4	4.2	V/V
Z_{inCT}	Center Tap Input Impedance			30		$\text{K}\Omega$

ELECTRICAL CHARACTERISTICS (Continued)

Symbol	Parameter	Test Condition	Min.	Typ.	Max.	Unit
LOGIC SECTION						
V_{inH} V_{inL}	Input Voltage		TBD		TBD	V V
I_{inH} I_{inL}	Input Current		-1		1	μ A mA
V_{outL} V_{outH}	Output Voltage	$V_{sink} = 2mA$ $V_{source} = 2mA$	4.5		0.5	V V
F_{sys}	System Clock Frequency		8		12	MHz
t_{on}	Clock ON Time		20			ns
t_{off}	Clock OFF Time		20			ns
SEQUENCE INCREMENT						
t_{seq}	Time Between Rising Edges		1			μ s
SERIAL PORT TIMING Note: $C_{load}(data\ I/O) = 50pF$;						
F_{shift}	Clock Frequency			2	TBD	MHz
t_{os}	Operating Set-up Time		50			ns
t_{settle}	Enabling Settling Time		50			ns
t_{strobe}	Strobe Pulse Width		40			ns
t_{wait}	Disable Wait Time		40			ns
t_{ds}	Data Setup Time		100			ns
t_{dh}	Data Hold Time		10			ns
t_{sd}	Strobe to Data Prop. Delay	(*)	100			ns
t_{cd}	Clock to Data Prop. Delay	(*)	100			ns
t_{sd}	Data I/O Activation Delay	(*)	100			ns
t_{tsd}	Data I/O Tri State Delay		80			ns
t_{wrs}	Write to Read Set-up Time		50			ns
t_{scr}	Strobe to Clock Time (Read Mode)		50			ns
t_{csw}	Clock to Strobe Time (Write Mode)		50			ns
PHASE LOCK LOOP SECTION						
T_{phse}	Static Phase Error				20	μ s
BRAKE DELAY SECTION						
V_{chrg}	Capacitor Charge Voltage	RT = 50K	TBD	9.5	TBD	V
I_{out3}	Source Current		0.5			mA
V_{Thres}	Delay Timer Low Trip Threshold		TBD	1.8	TBD	V
CHARGE PUMP						
V_{out9}	Storage Capacitor Output Voltage		20			V
V_{leak}	Blocking Diode Leakage Current				10	μ A
F_{cp}	Charge Pump Frequency			300		KHz

(*) These parameters are a function of C_{load} .

FUNCTIONAL DESCRIPTION

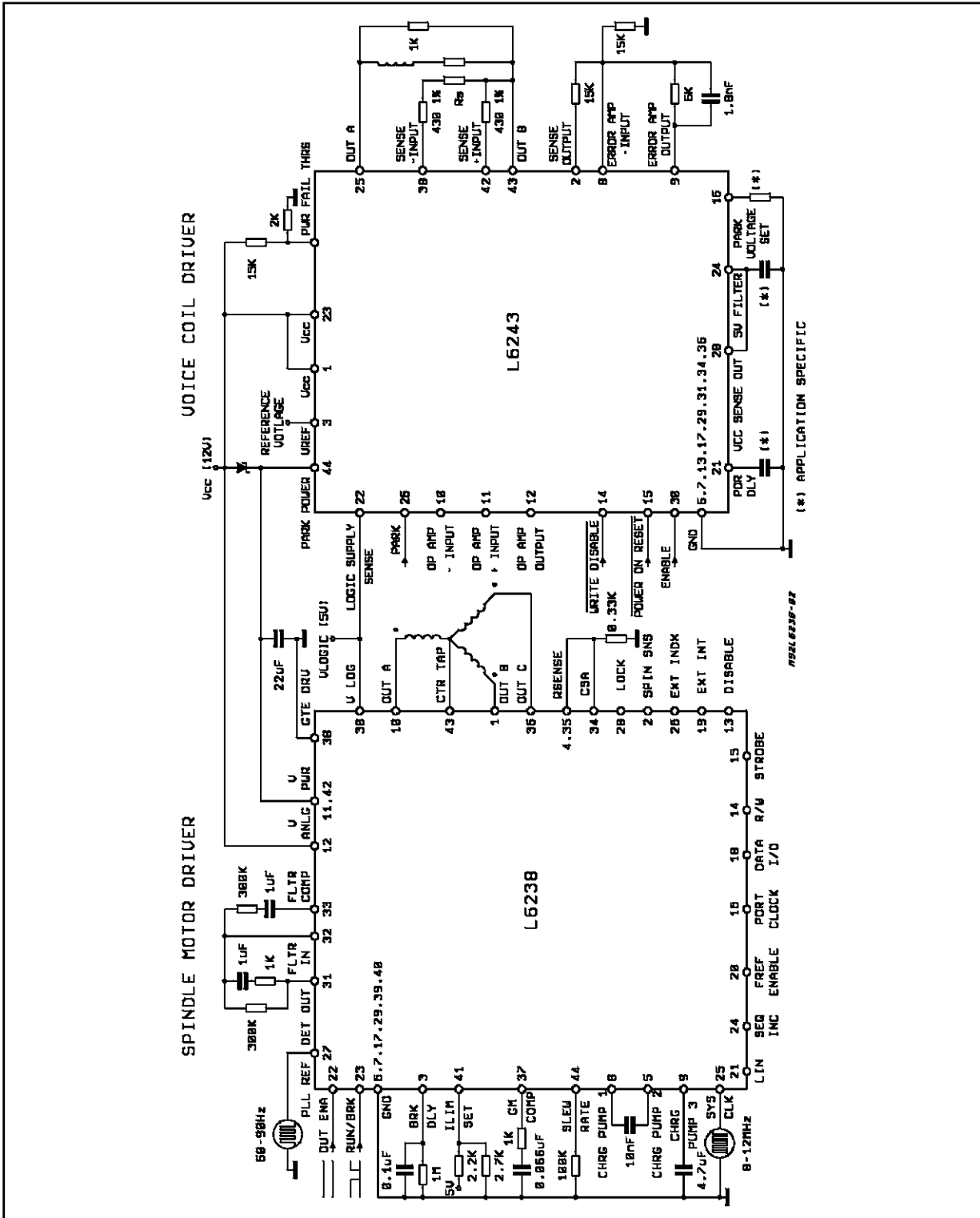
1.0 INTRODUCTION

1.1 Typical Application

In a typical application, the L6238 will operate in

conjunction with the L6243 Voice Coil Driver as shown in Fig. 1. This configuration requires a minimum amount of external components while providing complete stand-alone operation.

Figure 1: Stand Alone Configuration



1.2 Input Default States

Figure 2: Input Structures

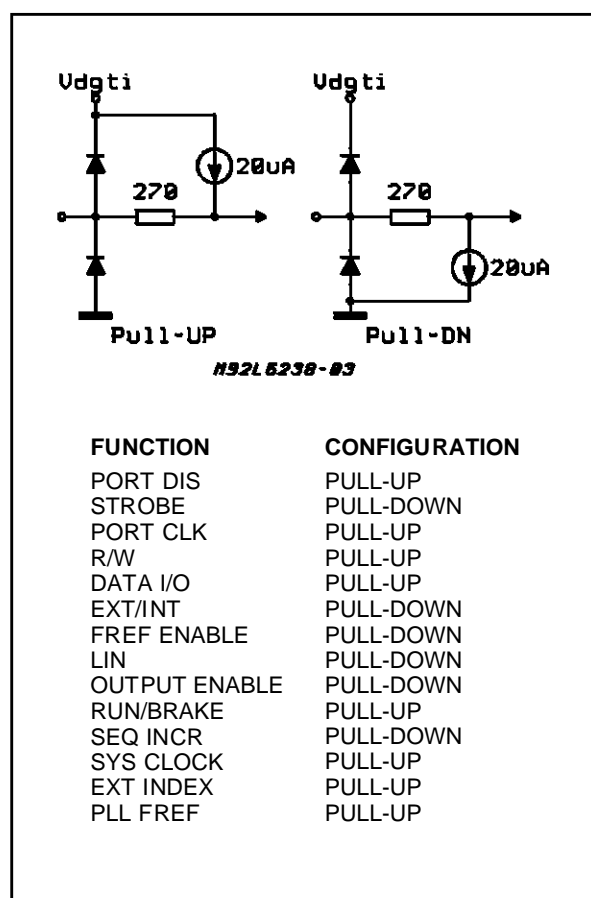


Figure 2 depicts the two possible input structures for the logic inputs. If a particular pin is not used in an application, it may either be connected to ground or VLOGIC as required, or simply left unconnected. If no connection is made, the pin is either pulled high or low by internal constant current generators as shown.

A listing of the logic inputs is shown with the corresponding default state.

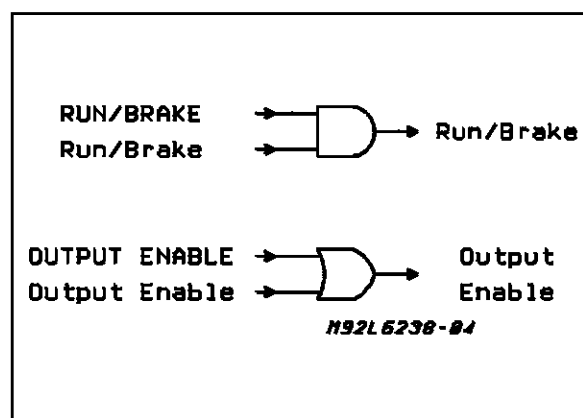
1.3 Naming Convention

In order to differentiate between the various types of control and status signals, the following naming convention is used.

- **BOLD CAPITALS** - Device pins.
- *Italics* - Serial port control and status signals.

Three input signals form a special case. Referring to figure 3, the RUN/BRAKE input pin and the *Run/Brake* control signal form a logical AND function, while OUTPUT ENABLE and *Output Enable* form an OR function. The outputs signal names, in **Bold Lower case** labeled **Run/Brake** and **Output Enable** will be used when referring to these

Figure 3: Input Logic



signals. Although not shown, SEQUENCE INCREMENT and *Sequence Increment* also form an OR function, with the resultant output signal called **Sequence Increment**.

1.4 Modes of Operation

There are 5 basic modes of operation.

1) Tristate

When Output Enable is low, the output power drivers are tristated.

2) Start-Up

With Output Enable high, bringing **Run/Brake** from a low to a high will energize the motor and the system will be driven by the Fully-Integrated Start-Up Algorithm. A user-defined Start-Up Algorithm, under control of a MicroProcessor, can be achieved via a serial port and/or external control pins.

3) Run

Identified by the Lock signal, Run mode is achieved when the motor speed (controlled by the Internal PLL) reaches the nominal speed within a predefined phase error.

4) Park

When Run/Brake is brought low, energy to park the heads may be derived from the rectified Bemf. The energy recovery time is a function of the Brake Delay Time Constant. In this state, the quiescent current of the device is minimized (sleep mode).

5) Brake

After the Energy Recovery Time-Out, the device is in Brake, with all lower Drivers in full conduction.

During a power down, the Park Mode is triggered, followed by a Dynamic Brake.

There are two mutually exclusive conditions which may be present during the Tristate Mode (wake up):

- a) the spindle is stopped.
- b) the system is still running at a speed that allows for resynchronization.

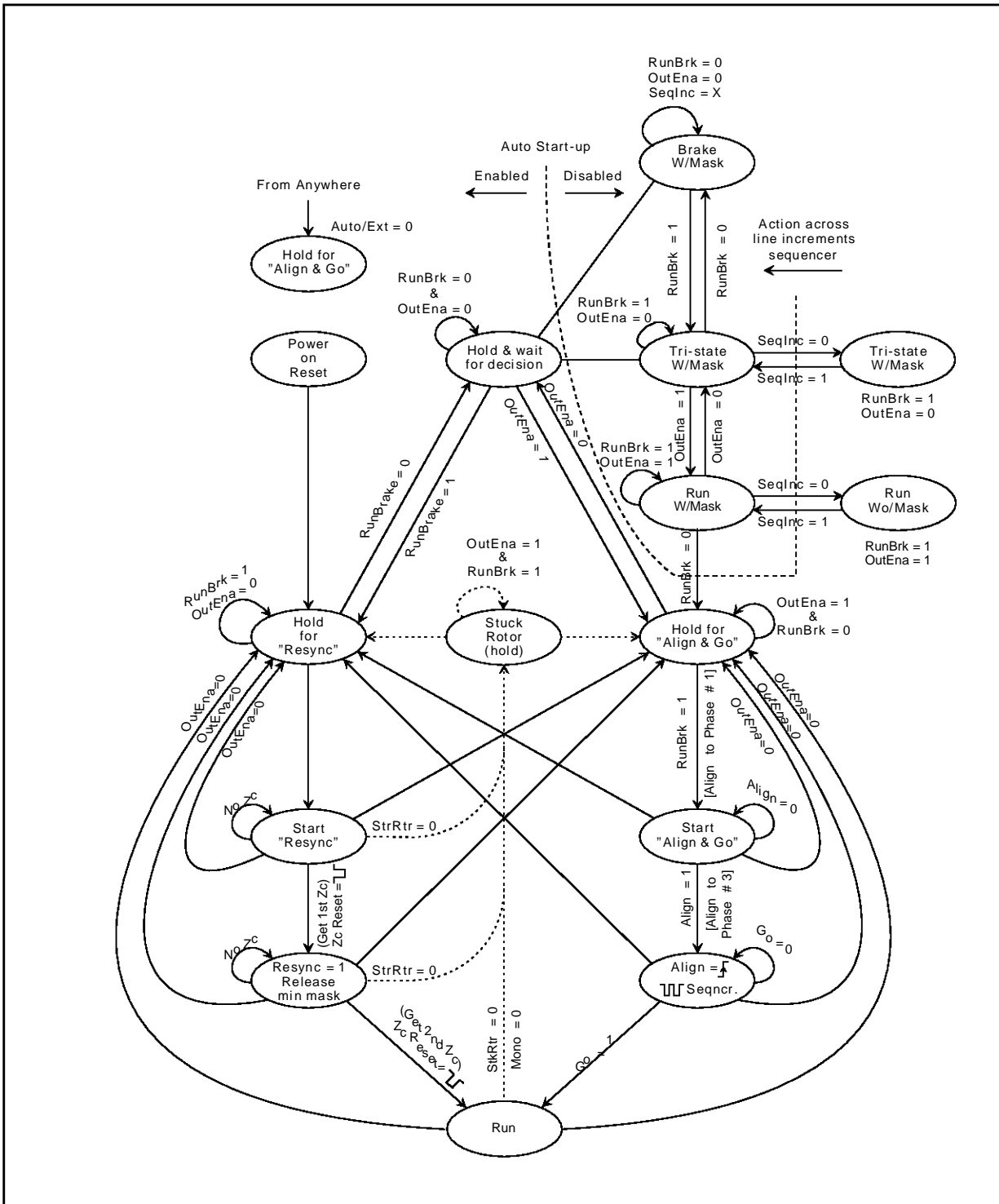
In order to minimize the ramp up time, the micro-controller has the possibility to:

- check the SPIN SENSE pin, (which toggles at

the Bemf zero crossing frequency)

- enable the power to the motor based on the previous information. Otherwise the uP may issue a Brake command, followed by the start-up procedure after the motor has stopped spinning.

Figure 4: State Diagram



2.0 STATE DIAGRAMS

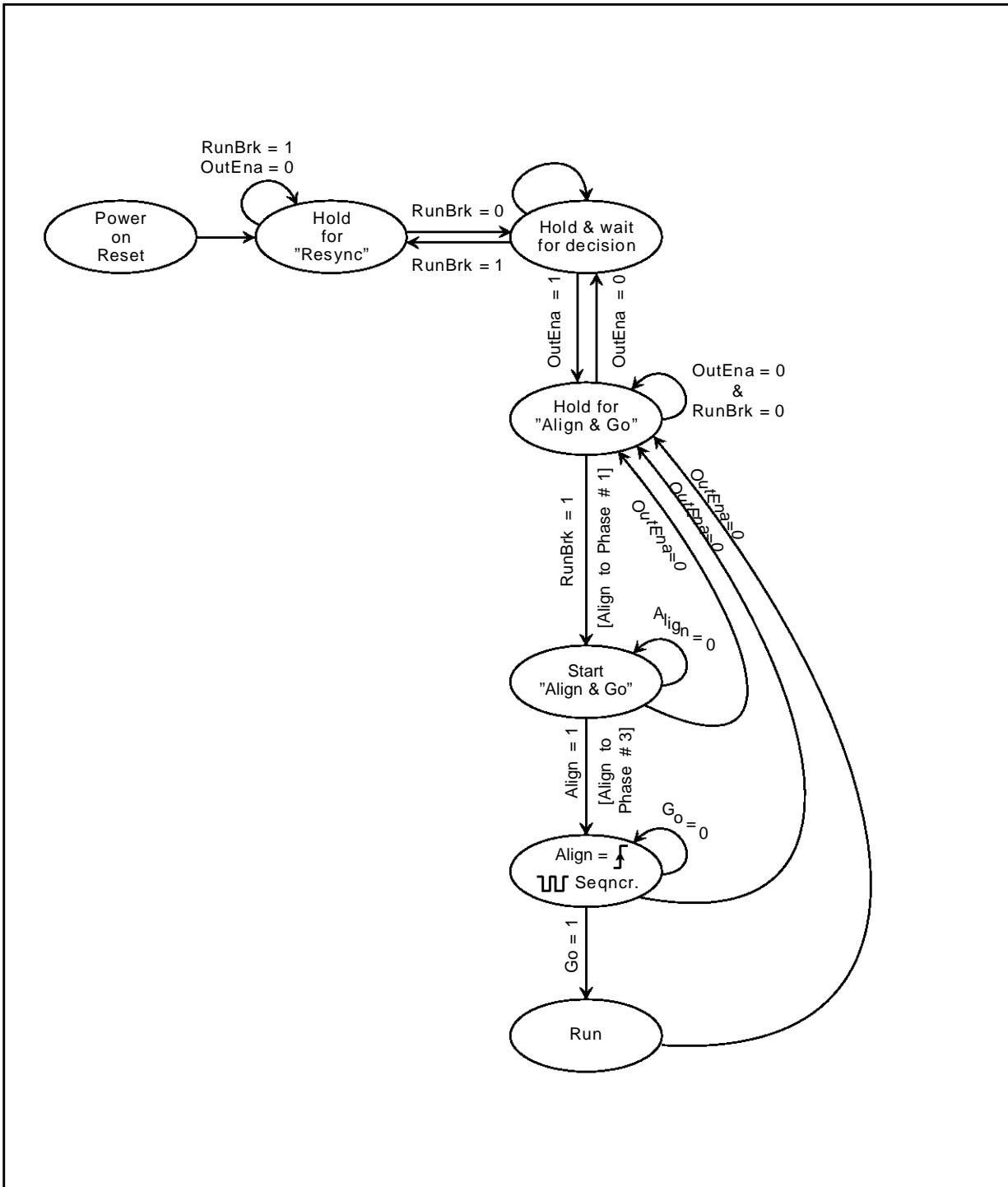
2.1 State Diagram

Figure 4 is a complete State Diagram of the controller depicting the operational flow as a function of the control pins and motor status. The flow can be separated into four distinct operations.

2.2 Align + Go

Figure 5 represent the normal flow that will achieve a spin-up and phase lock of the spindle motor. Upon power up, the controller first checks to determine if the motor is still spinning. This "Hold For Resync" decision block will be discussed later.

Figure 5: Align+Go



Assuming the motor is stationary, with **Output Enable** high and **Run/Brake** low, the controller is in the "Hold for Align & GO" state. When **Run/Brake** is brought high, the motor is in align mode with Phase 1 active (**Output A** high and **Output B** low). *Align* is a zero. After the align time-out (user-programmable), the *Align* bit goes high and the sequencer double increments the outputs to Phase 3 (**Output B** high and **Output C** low). After the next time-out, the controller enters the Go mode, with the sequencer automatically incrementing the output phase upon detection of the motor's *Bemf*.

Never command an Align & Go unless a reference signal is present at PLL FREF, since this is the signal that determines the length of time that phase 1 remains active.

If **Run/Brake** is brought low, (or if the 5V supply is removed) the controller will revert to "Hold for Align & GO" and the serial port will be reinitialized. In order to prevent an erroneous restart condition, it is necessary that **Run/Brake** be held low until the motor has completely stopped. Once the motor has stopped, **Run/Brake** may be brought high for a complete Align & Go Start-Up routine.

2.3 Resynchronization

If power is momentarily lost, the sequencer can automatically resynchronize to the monitored *Bemf*. This resynchronization can either occur whenever **Output Enable** is first brought low then high or if the Logic Supply is momentarily lost.

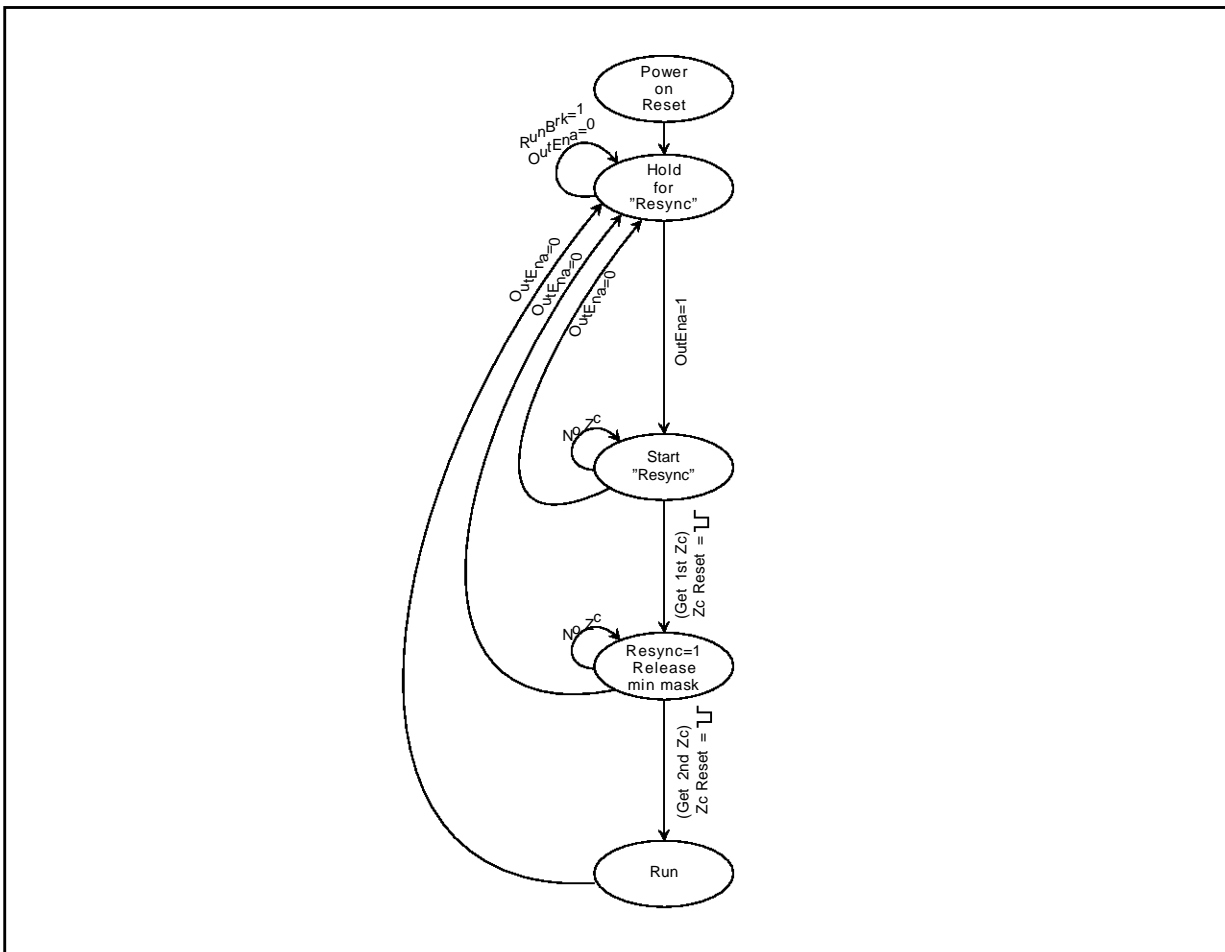
Referring to figure 6, the "Hold for Resync" state is entered upon POR (Power On Reset) or whenever **Output Enable** is brought low. The controller leaves this state and enters "Start Resync" when **Output Enable** is high.

If zero crossings are detected, the sequencer will automatically lock on to the proper phase and bring the motor speed up to Phase Lock.

This resynchronization will take effect with the motor speed running as low as typically 30% of it's nominal value.

Never command an Align & Go while the motor is spinning. Always initiate a resync first or initiate brake mode and allow the motor to spin down.

Figure 6: Resync.



2.4 Stuck Rotor/Monotonicity

Refer to figure 7. In order to alert the microprocessor of fault conditions, two bits are available in the Serial Port's Status Register.

1. Stuck Rotor

If the controller enters the Go mode after the Double Align, Bemf must be detected within 419ms when using a system clock frequency of 10MHz. If this condition is not met, the outputs will be tristated and set this bit to a zero. The controller enters the "Stuck Rotor Hold" state.

Figure 7: Stuck Rotor/Monotonicity.

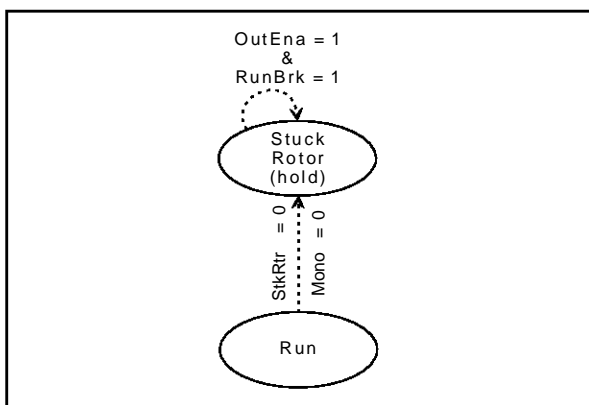
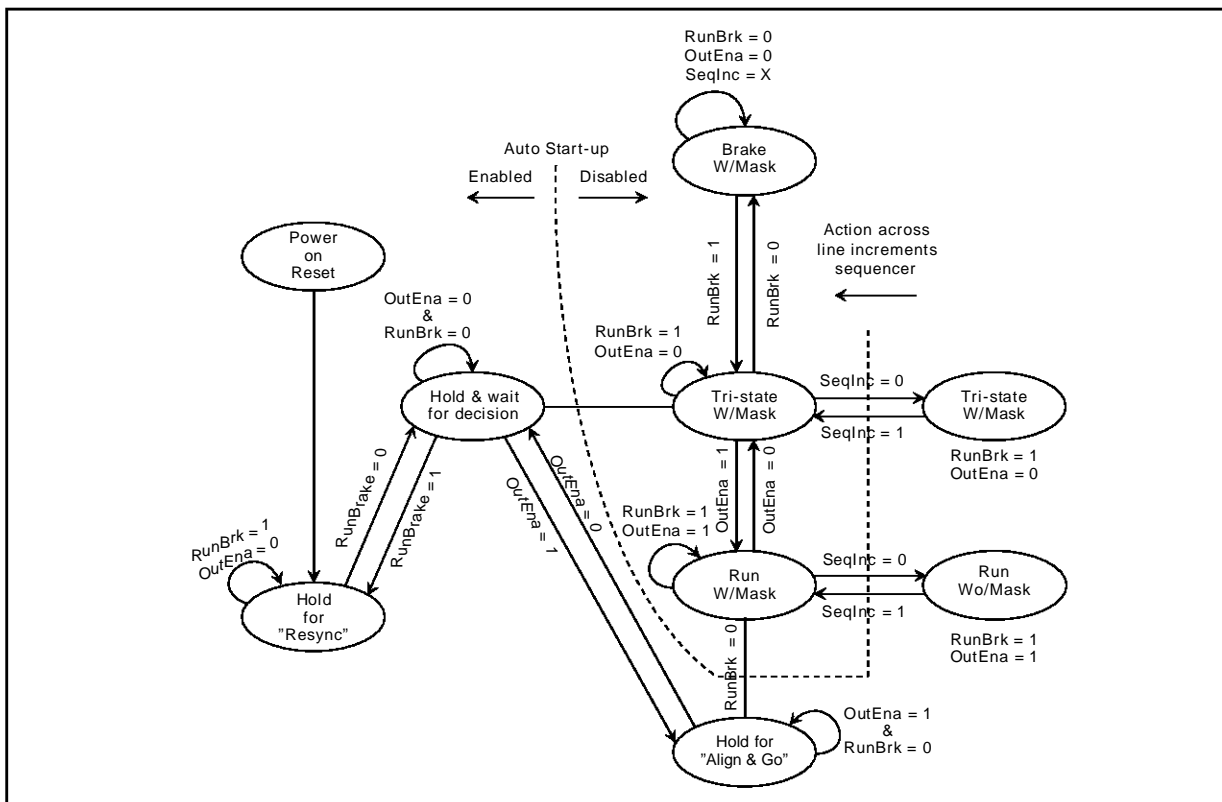


Figure 8: Ext. Sequence.



2. Mono

When the motor spins up normally, the resultant S P IN SENSE pulses rise in frequency in a monotonic pattern. Any fault condition that would cause a rapid decrease in the SPIN SENSE frequency would be detected by internal counters setting the *MONO* bit low and forcing a Brake condition

2.5 External Sequencing

Although the user-defined Start-Up Algorithm is flexible and will consistently spin up a motor with minimum external interaction, the possibility exists where certain applications might require complete microprocessor control of start-up.

The L6238 offers this capability via the **SEQUENCE INCREMENT** input. Referring to figure 9, with **Output Enable and Run/Brake** low, the controller is in the "Hold and Wait for Decision" state. If the **SEQUENCE INCREMENT** pin is brought high during this state, the Auto StartUp Algorithm is disabled and the sequencer can be controlled externally.

When **Output Enable and Run/Brake** are brought high, the sequencer is incremented every time that the **SEQUENCER INCREMENT** pin is first brought low and then high. During the time that this pin is high, all Bemf information is

masked out, and when it is low, the Bemf information can be detected normally. When the motor has reached a predetermined speed, the SEQUENCE INCREMENT pin can be left low and the L6238 Motor Control logic will take over and automatically bring the motor into Phase Lock.

3.0 START-UP ALGORITHMS

3.1 Spin-Up Operation

The spin operation can be separated into 3 parts:

- 1) **Open Loop Start-Up** - The object is to create motion in the desired direction so that the Bemf voltages at the 3 motor terminals can provide reliable information enabling a transition to closed loop operation.
- 2) **Closed Loop Start-Up** - The Bemf voltage zero-crossings provide timing information so that the motor can be accelerated to steady state speed.
- 3) **Steady-State Operation** - The Bemf voltage zero-crossings provide timing information for precision speed control.

The L6238 contains features that offer flexible control over the start-up procedure. Either the on-

board Auto-Start Algorithm can be used to control the start-up sequence or more sophisticated external start-up algorithms can be developed using the Serial Port and key control/sense functions brought out to pins.

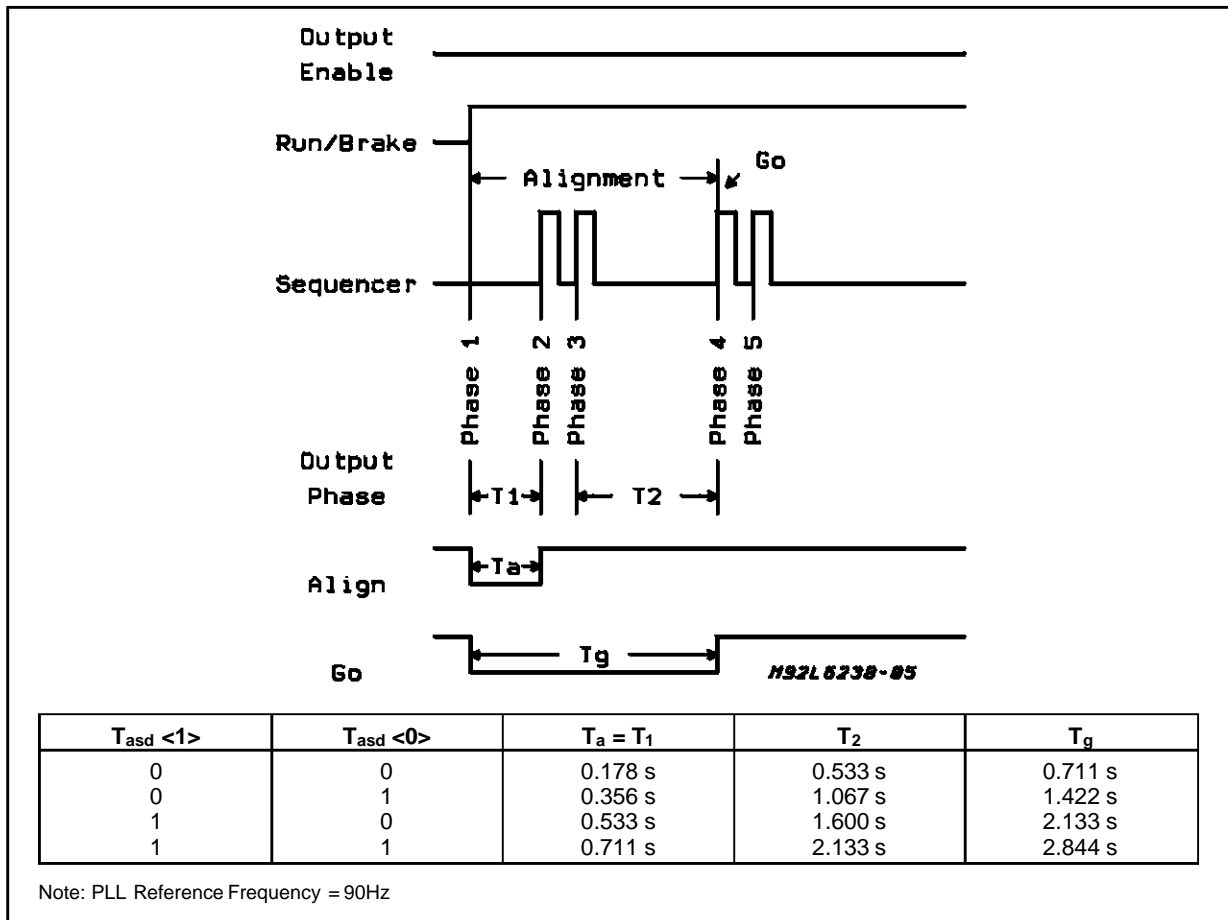
3.2 Auto-Start Algorithm

The Serial Port Control Bit *Auto/Ext* (Refer to Table 2), controls the start-up mode. The power up default state is a logic high which selects the AutoStart Mode. When **Run/Brake** is low, the L6238 is in brake mode, and the Auto-Start Algorithm is reset. In the brake mode, all of the lower DMOS drivers are ON, and the upper drivers are OFF.

Note that **Run/Brake** should be brought low for a period exceeding the value selected for the brake delay time in order to initialize the brake delay circuit.

The Auto-Start Algorithm is based on an Align & Go approach and can be visualized by referring to Figure 9. Shown are the Output **Enable** and **Run/Brake** control signals, sequencer output with the resultant output phases, and the *Align* and *Go* status bits. The times labeled T1 and T2 are two

Figure 9: Auto Start Profile



delays that are 25% and 75% respectively of the total delay selected by the Auto-Start *Delay* Control Bits. The times labeled T1 and T2 are the times associated with the *Align* and *Go* status bits. Typical delays associated with these times for a PLL reference frequency of 90Hz are shown in the figure.

Referring to figure 9, the following is the sequence of events during Auto-Start:

- Alignment Phase
 - Output Stage is energized to phase 1 with **OUTPUT A** high and **OUTPUT B** low for T seconds.
 - The internal sequencer double increments the output stage to Phase 3 for T2 seconds. If phases 1 or 3 are high torque states, the motor should become aligned.
 - During the alignment phase, the **SEQ INCREMENT** signal is ignored.
- Go Phase
 - The internal sequencer double increments the output stage to State 5, which should produce torque in the desired direction.
 - with **SEQ INCREMENT** held low, the sequencer is now controlled by the Bemf zero crossings, and the motor should ramp up to speed.

If backward rotation is detected, a status bit in the serial port will be set, and the L6238 will revert to the brake mode.

- If a stuck rotor condition exists, the *Stuck Rotor* Status bit is flagged, but no action is taken. If though during a stuck rotor condition, the time out due to the backwards rotation occurs, the L6238 will revert back to the brake mode.

3.3 Externally Controlled Start-Up Algorithms

Enhanced Start-Up Algorithms can be achieved by using a uProcessor to interact with the L6238's control and status signals. The uProcessor needs to be heavily involved during Open Loop Start-Up. The L6238 has the ability to transition to Closed Loop Start-Up at very low speeds, reducing the uProcessor task to monitoring status rather than real time interaction. Thus, it is a perfect application for an existing uProcessor.

To allow control via an external means, the *Auto/Ext* Control Bit in the Serial Port must be set low. This disables the internal Auto-Start Algorithm. The following control and status signals allow for very flexible algorithm development:

- **SEQ_INCR** A low to high transition at this input is used to increment the state of the power output stage. It is useful during start-up, because the μ Processor can cycle to any desired state,

or cycle through the states at any desired rate. When held high, it inhibits the BEMF zero crossings from incrementing the internal sequencer.

- **SPIN SENSE** This output is low until the first detected Bemf zero crossing occurs. It then toggles at each successive zero crossing. This signal serves as a motion detector and gives useful timing information as well.
- **LOCK** A high denotes that the phase error between the PLL reference and the feedback signals is within the programmed threshold. This signal is updated once per revolution.
- *Seq Reset* This bit is used to reset the output stage to the first state.

3.4 Start Up Approaches

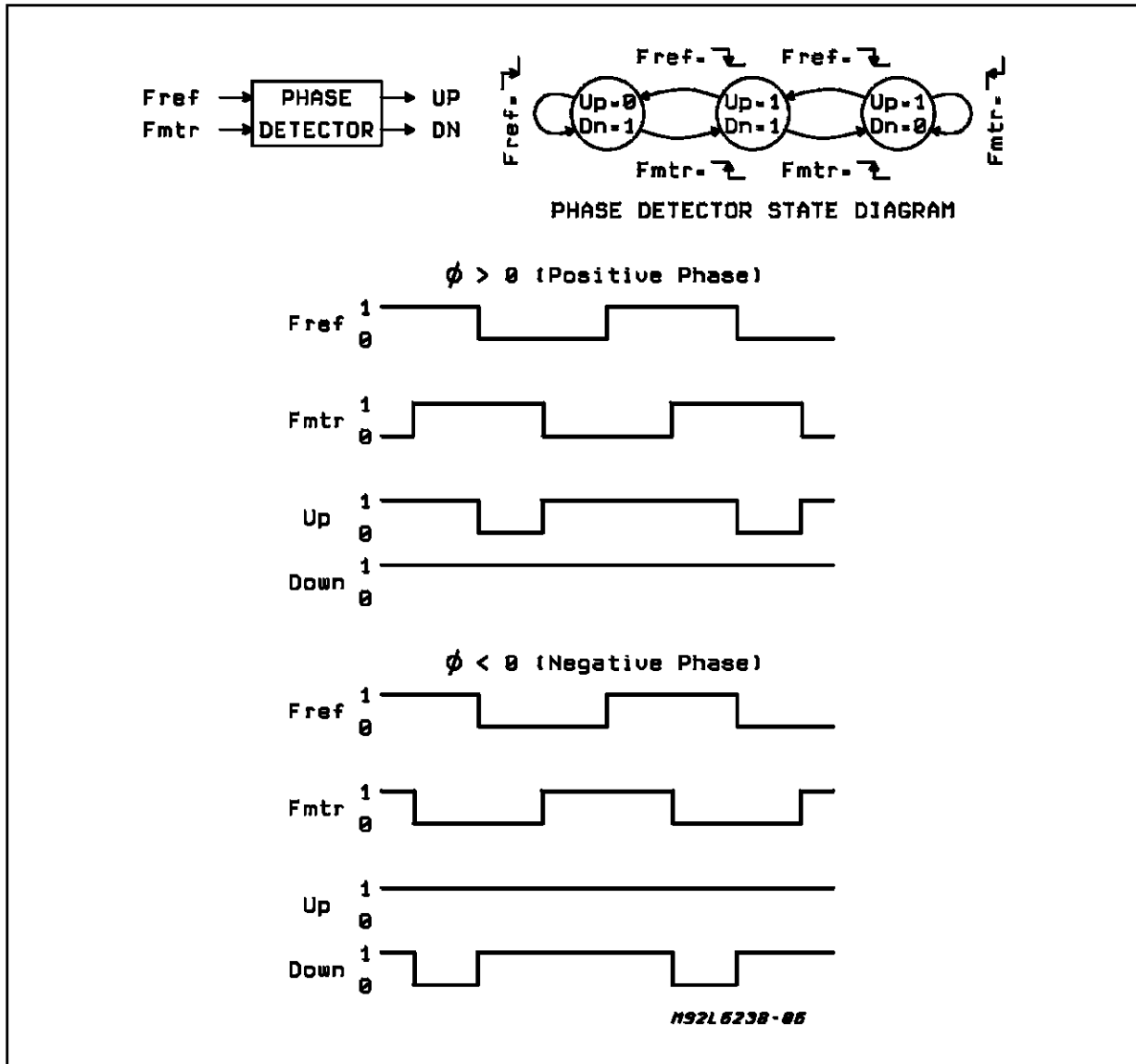
Align & Go Approach The Align & Go approach provides a very time efficient algorithm by energizing the coils to align the rotor and stator to a known phase. This approach can be achieved via the *Seq Reset*, or by sequencing SEQ INCR. SPIN SENSE can be monitored to assure that motion occurred. Once ample time is given for alignment to occur, SEQ INCR can be double incremented, and the SPIN SENSE pin can be monitored to detect motion. When SEQ INCR is pulled low, control is transferred to the internal sequencer, and the L6238 finishes the spinup operation. If no motion is detected, SEQ INCR can be incremented to a different phase and the process can be repeated. The alignment phase may cause backward rotation, which on the average will be greater than the Stepper Motor approach.

The **Auto-Start** algorithm described earlier is an Align & Go approach. The main advantages of the integrated Auto-Start are that the uP is not involved real-time, and there are a minimum of interface pins required to the spindle control system.

Stepper Motor Approach This approach minimizes backward rotation by sequencing SEQ INCR at an initial rate that the rotor can follow. Thus, it is driven in a similar fashion to a stepper motor. The rate is continually increased until the Bemf voltage is large enough to reliably use the zero-crossings for commutation timing. SEQ INCR is held low, causing control to be passed to the L6238's internal sequencer as in the Align & Go approach.

The Stepper Motor approach takes longer than the Align & Go approach because the initial commutation frequency and subsequent ramp rate

Figure 10: Phase Detector State Diagram.



must be low enough so that the motor can follow without slipping. This implies that to have a reliable algorithm, the initial frequency and ramp rate must be chosen for the worst case motor under worst case conditions.

4.0 DIGITAL PLL MOTOR SPEED CONTROL

4.1 Phase Detector

The internal Phase/Frequency Detector of the PLL has two inputs:

- reference input (Fref)
- feedback input (Fmtr)

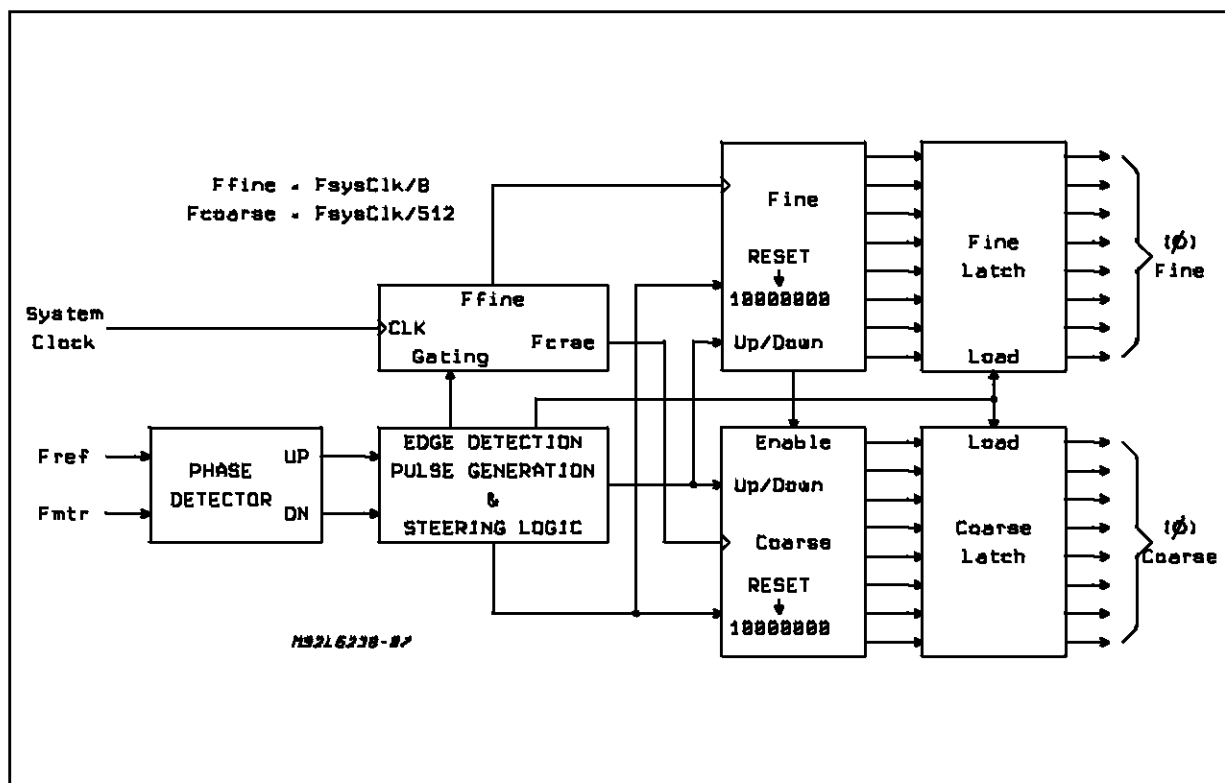
The feedback Input is multiplexed between the internal Bemf Zero Crossing Detector and an externally provided sync pulse (**EXT INDEX**)

Shown in figure 10 is the classical state diagram for a phase detector along with waveform examples.

Positive phase is defined as when the reference falling edge occurs before the falling edge of Fmotor and the motor speed must be increased. Negative phase is just the opposite, requiring a slowing of the motor speed.

As an example, the top four waveforms in figure 10 represent a positive phase condition. In this case the "up" signal would go low since the reference signal went low before the appearance of a negative transition of fmotor. The falling edge of fmotor causes the "up" signal to revert back to a high. The period while the "up" signal is in a low state is a function of the phase difference.

Figure 11: Logic Block Diagram.



4.2 Counter Section

Figure 11 is a block diagram of the counter section of the PLL along with the phase detector.

The phase detector provides up and down signals that are used to control the direction and counting period of two 8 bit counters. Two counters are used to provide both coarse and fine phase error information. The coarse counter operates to bring the phase error into a finite window, while the fine counter with it's higher resolution controls the phase jitter to typically 5 μ s.

As an example, during a positive phase measurement, the counters are reset to 10000000 which is the middle of their measurement range corresponding to zero degrees phase error. The falling edge of Fref, in conjunction with the "up" signal, causes the fine counter to then start counting up. The coarse counter is inhibited by the fine counter until the fine counter has reached it's maximum count. The falling edge of Fmtr causes the counters to stop counting and the bits in the fine and coarse counters are then latched into their respective latches. The counters are then reset to 10000000 in anticipation of the next phase measurement.

The operation of the counter section during spin-up and phase lock can be described in three phases:

1) **Initial Spin-Up** - At start-up the PLL will inher-

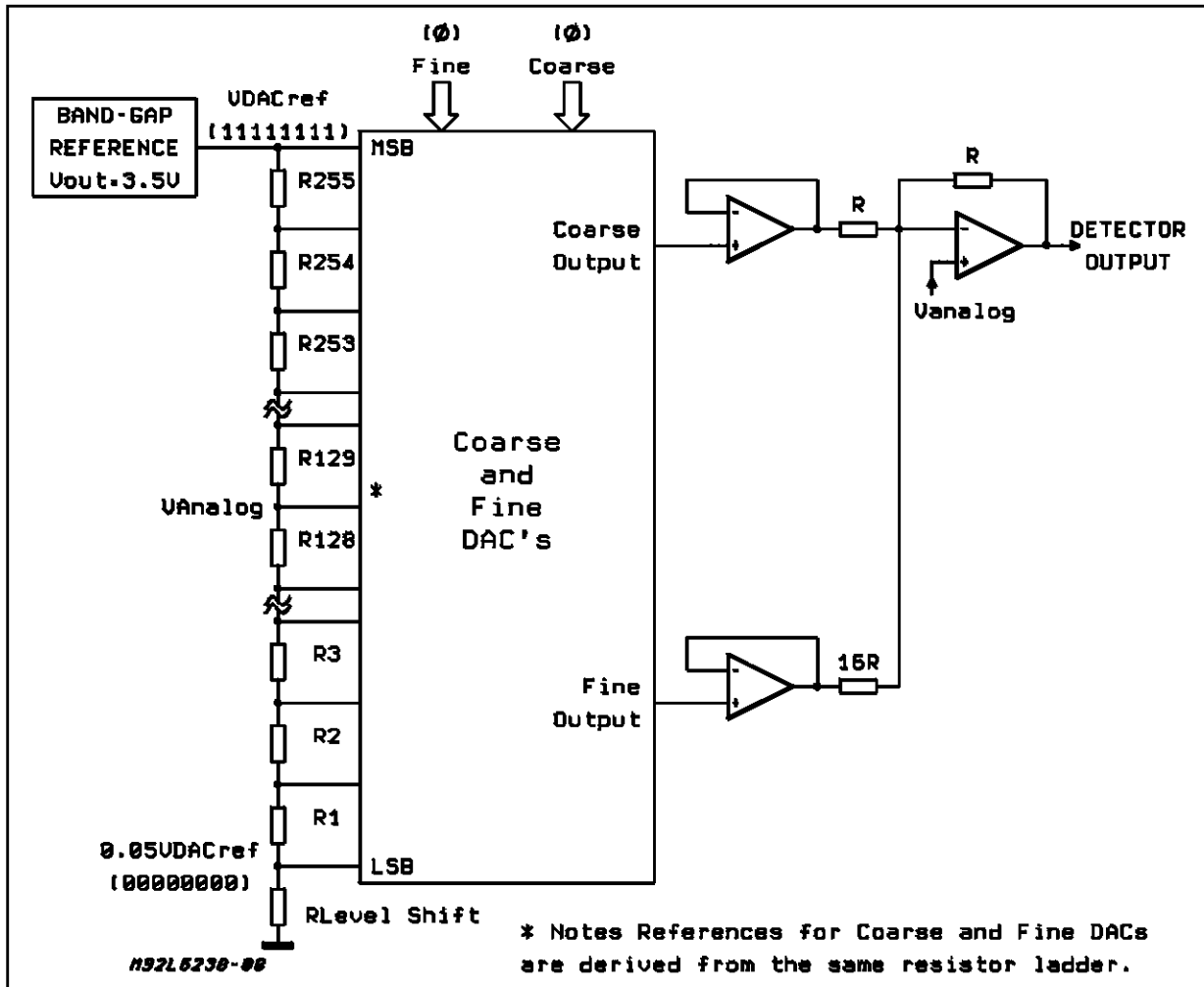
ently bring the motor speed "in line" with the reference frequency. The phase detector is initialized at power up to force the counters to start counting up.

Since there will be many more Fref. vs Fmtr falling edges at start-up, the width of the "up" pulse will be wide. The fine counter will reach it's maximum count and send an enable pulse to the coarse counter causing it to start counting. After 127 counts, the coarse counter also reaches it's maximum count. At the end of the "up" pulse, it's rising edge loads the outputs of the Coarse and Fine counters into corresponding latches. Thus the latches are updated once-per-rev with a binary number that corresponds to the measured phase error. This count will be converted via a Digital to Analog Convertors (DAC) into a speed Command Voltage, which at start-up will be the maximum as set by the ILIM SET voltage.

2) **Overshoot** - As the motor speed increases close to the reference, the coarse counter comes out of compliance and decreases it's count as the phase difference becomes smaller. The fine counter then takes over when the phase is in a certain range. A certain amount of phase overshoot will take place as the motor passes though zero phase difference due to the closed loop system response characteristics.

This will cause the counters to count down to "slow" the motor down until the phase difference is minimal.

Figure 12: Coarse and Fine DAC's.



3) **Phase Lock** - After a brief settling time, typically 1-2 seconds after spin-up, the counters will alternately count up and down as required to maintain the phase difference to be as close to minimum as possible. The counter outputs at this time should be "hovering" around 10000000. The outputs of the two DACs are sent to latches that store the digital representation of the measured phase error. This information is then bussed to the DACs.

4.3 Coarse/Fine DACs

Two DACs are used to convert the digital phase error information into an analog voltage that can

be used to command the output driver's current. In figure 12, the two 8-bit digital error signals are used to switch in 256 possible voltages derived from a precision Band-Gap reference. The same resistor ladder string is used for the Coarse and Fine DACs. The outputs of the DACs are then sent to buffer stages and added together via a summing amplifier.

4.4 Transfer Functions

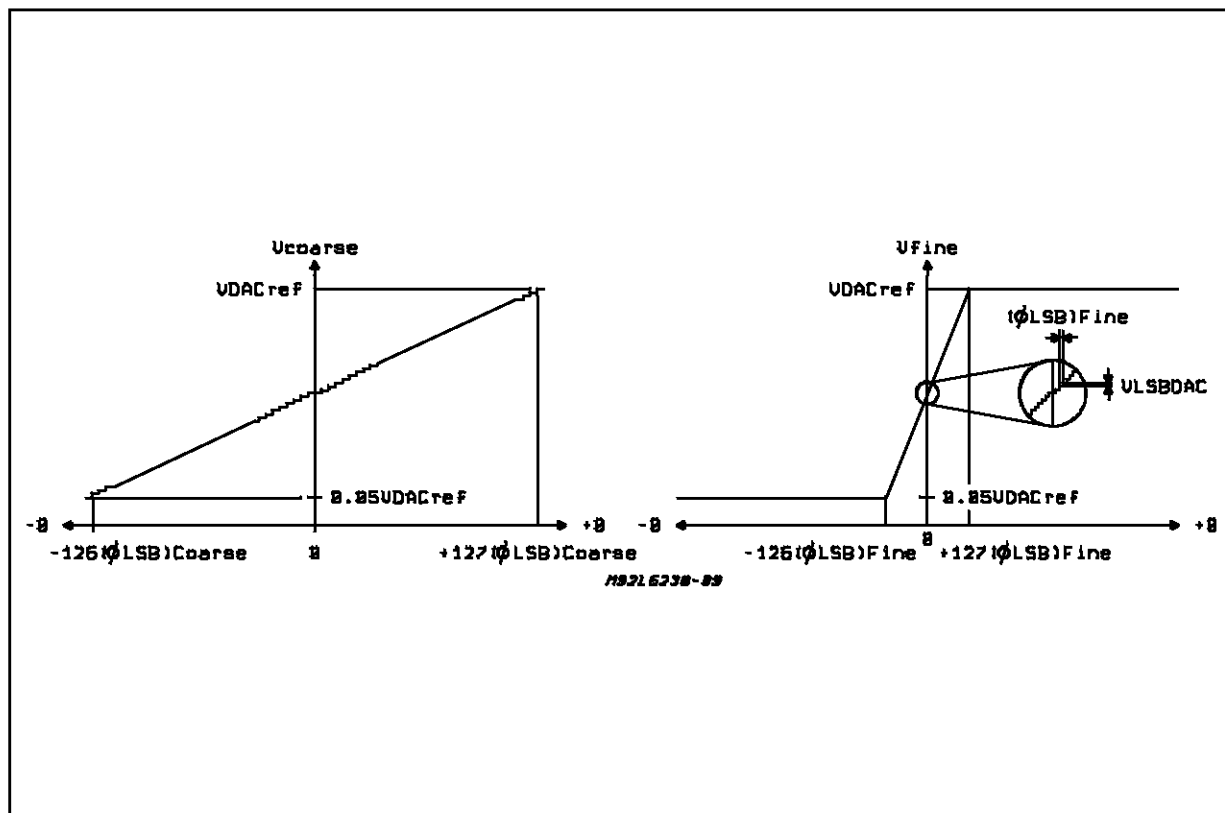
Figure 13 represent the Output Voltage vs Phase Error for the Coarse and Fine DACs depicting the resolution that is achievable.

Table 2 shows examples of the resolution of both

Table 2

Fsystem Clock	Fcoarse	Phase LSB Coarse	(Range) Coarse	Ffine	Phase LSB Fine	(Range) Fine
8MHz	15.6KHz	64.1µs	16.3ms	1.0MHz	1.0µs	255µs
10MHz	19.5KHz	51.3µs	13.1ms	1.25MHz	800ns	204µs
12MHz	23.4KHz	42.7µs	10.9ms	1.5MHz	667ns	170µs

Figure 13: Coarse/Fine DAC's Output Graphs.



DACs as a function of the system clock repetition rate. F_{coarse} is the system clock divided by 512, while F_{fine} divides the clock by 8. This gives for example, Coarse and Fine LSB's of 51.3 μ s and 800ns respectively for a system clock repetition rate of 10MHz. Therefore the best phase jitter that could be achieved as a function of the counter resolution is 800ns. The dynamic range of each counter is also shown in the table.

It can be seen that the ratio of Fine to Coarse counts is 64. The summing amplifier divides the Fine DAC buffer output voltage by a factor of 16. Therefore there is a 4:1 ratio of Fine to Coarse gain.

This results in a Speed Control Loop that is fairly easy to compensate with excellent transient response.

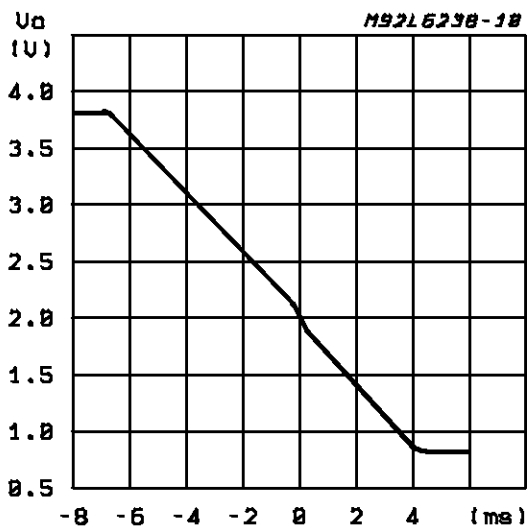
The output of the PLL Detector is fed to a general purpose filter amplifier that is used to compensate the Speed Control Loop. The filter amplifier output stage has been carefully designed to limit the compliance voltage to a value that tracks the **Ilim Set** voltage, thus limiting the amount of overshoot and enhancing the transient response of the loop.

4.5 PLL Detector Output

Figure 14 is a graph of the typical **DETECTOR**

OUTPUT voltage as a function of the detected phase difference as measured on production material. The change of the gain slope is apparent around the zero phase difference point. With the spindle motor at phase lock, the **DETECTOR OUTPUT** voltage is typically 2.0, equivalent to the internal Virtual Ground level.

Figure 14: $V_{detector}$ Output vs Phase Error.



5.0 MOTOR DRIVER

5.1 Output Stage

The output stage forms a 3-phase, full wave bridge consisting of six Power DMOS FETs capable of 2.5 amps. Higher output currents are allowed for brief periods. Output Power exceeding the stand-alone power dissipation capabilities of the L6238 can be increased with the addition of an external P-FET.

Table 3 is a reference diagram that lists the parameters associated with 8-pole motors operating at 3600 and 5400 RPM.

Figure 15 represents the waveforms associated with the output stage. The upper portion of figure 15 shows the flow of current in the motor windings for each of the 24 phase increments. A rotational degree index is shown as a reference along with a base line to indicate the occurrence of a zero crossing. The 3 output waveforms are actual digitally reproduced voltage signals as measured on samples.

A typical sequence starts when the outputs switch states. Referring to figure 15, during phase 1, output A goes high, while output B is low. During this

phase, output C is floating, and the Bemf is monitored. The outputs remain in this state for 60 electrical degrees as indicated by the first set of dashed lines. After this period the output switches to phase 2 with output A high and C low with the Bemf amplifier monitoring output B.

In order to prevent commutation current noise being detected as a false zero crossing, a masking circuit automatically blanks out all incoming signals as soon as a zero crossing is detected. When the next commutation occurs an internal counter starts counting down to set the time that the masking pulse remains. The counter is initially loaded with a number that is equal to period that is always 25% of the previous phase period or 15 electrical degrees. This time-out of the masking pulse shown for reference at the bottom of figure 16. Thus the actual masking period is the total of the time from the detected zero crossing to the commutation, plus 25% of the previous period. The mask pulse operation is further discussed in section 5.6, Slew Rate Control.

After the masking period, the Bemf voltage at output B is monitored for a zero crossing. Upon detection of the crossing the output is sequenced after 30 electrical degrees insuring maximum

Table 3.

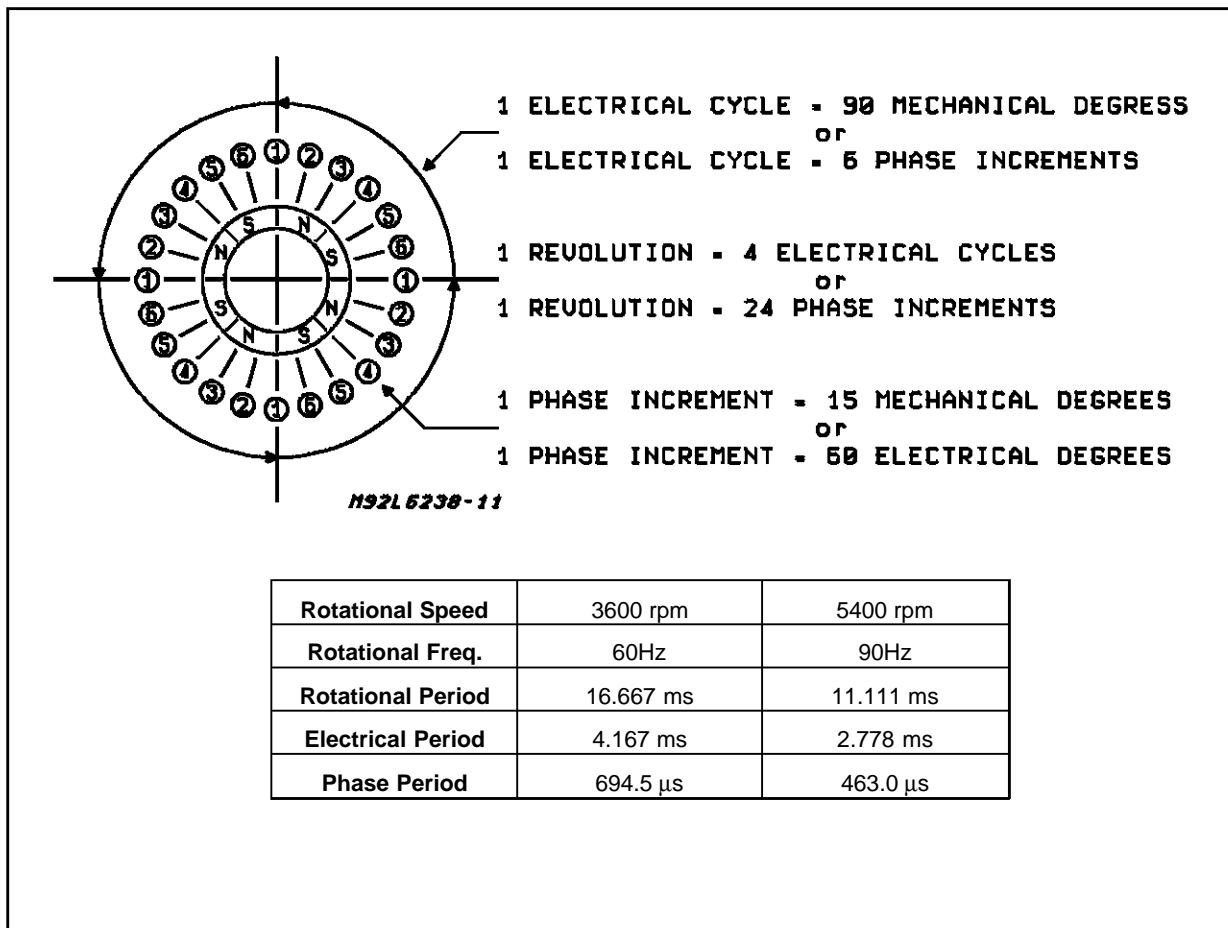
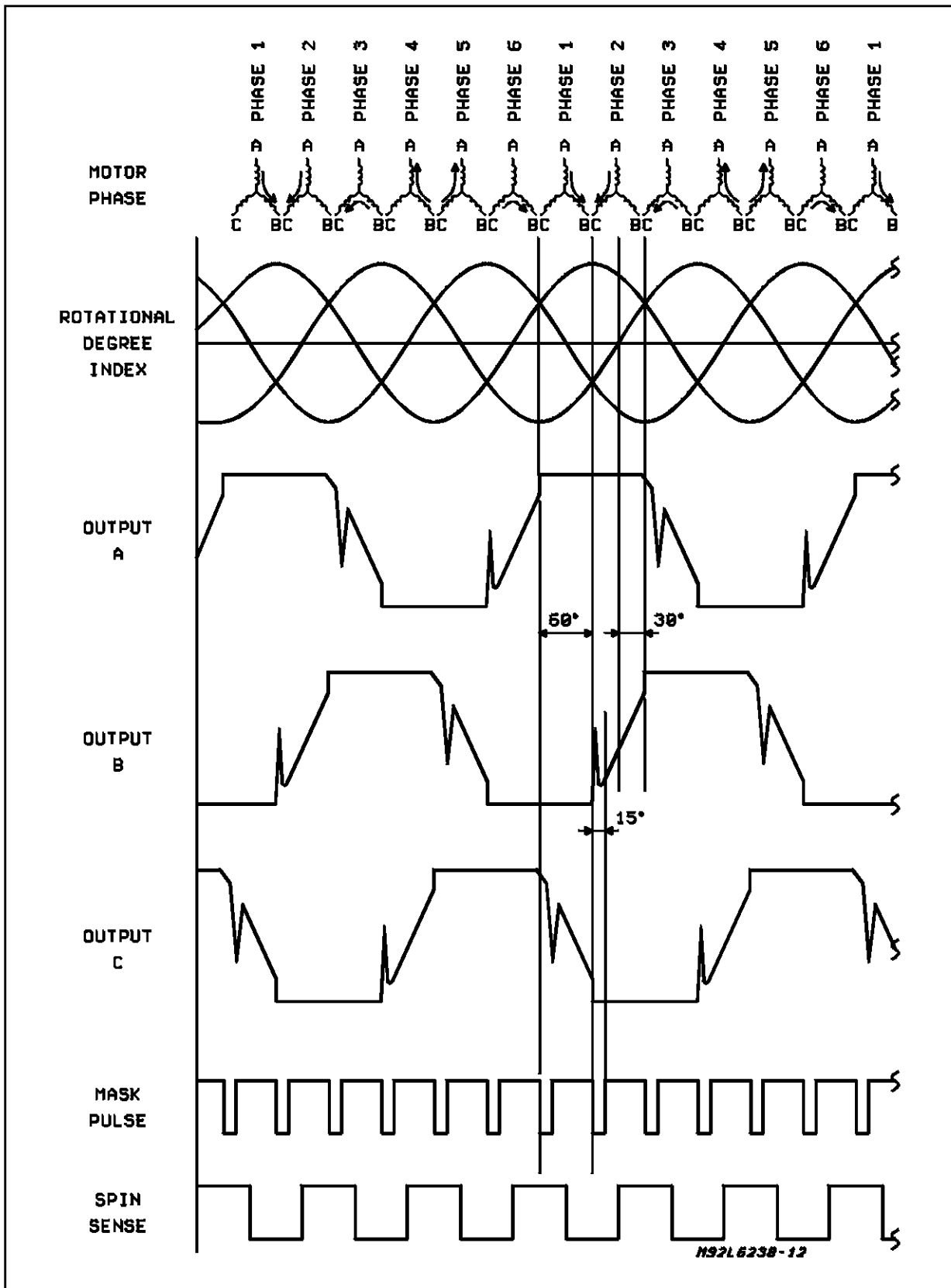


Figure 15: Brake Delay.



torque. The spin sense waveform at the bottom of the figure indicates that this output signal toggles with each zero crossing.

5.2 Brake Delay

When **Run/Brake** is brought low, a brake is initiated. Referring to figure 16, SW1 is opened and the brake delay capacitor, C_{brake} , is allowed to discharge towards ground via R_{brake} . At the same time, switches SW2 through SW7 bring the gates of the output FETs to ground halting conduction, causing the motor to coast. While the motor is coasting, the B_{emf} is used to park the heads. When C_{brake} reaches a voltage that is below the turn ON threshold of Q1, Switches SW8, 9 and 10 bring the gates of the lower drivers to V_{brake} potential. This enables the lower FETs causing a braking action. This braking action also occurs if the logic supply is lost. The analog supply is not

monitored in the L6238 since the L6243 already monitors this voltage and initiates a Park function when this supply drops to a predetermined level.

If multiple logic supplies are used in the application, all logic signals to the L6238 including the reference and clock signals should be buffered with gates powered by the same supply as the L6238 in order to prevent erroneous operation. This would occur, for example, if the 5V supply to the controller were lost while 5V were still present at one of the logic pins. This would partially power the chip, causing unpredictable operation.

5.3 Charge Pump

The charge pump circuitry is used as a means of doubling the analog supply voltage in order to allow the upper N-channel DMOS transistors to be driven like P-channel devices. The energy stored in the reservoir capacitor is also used to drive the

Figure 16: Brake Delay.

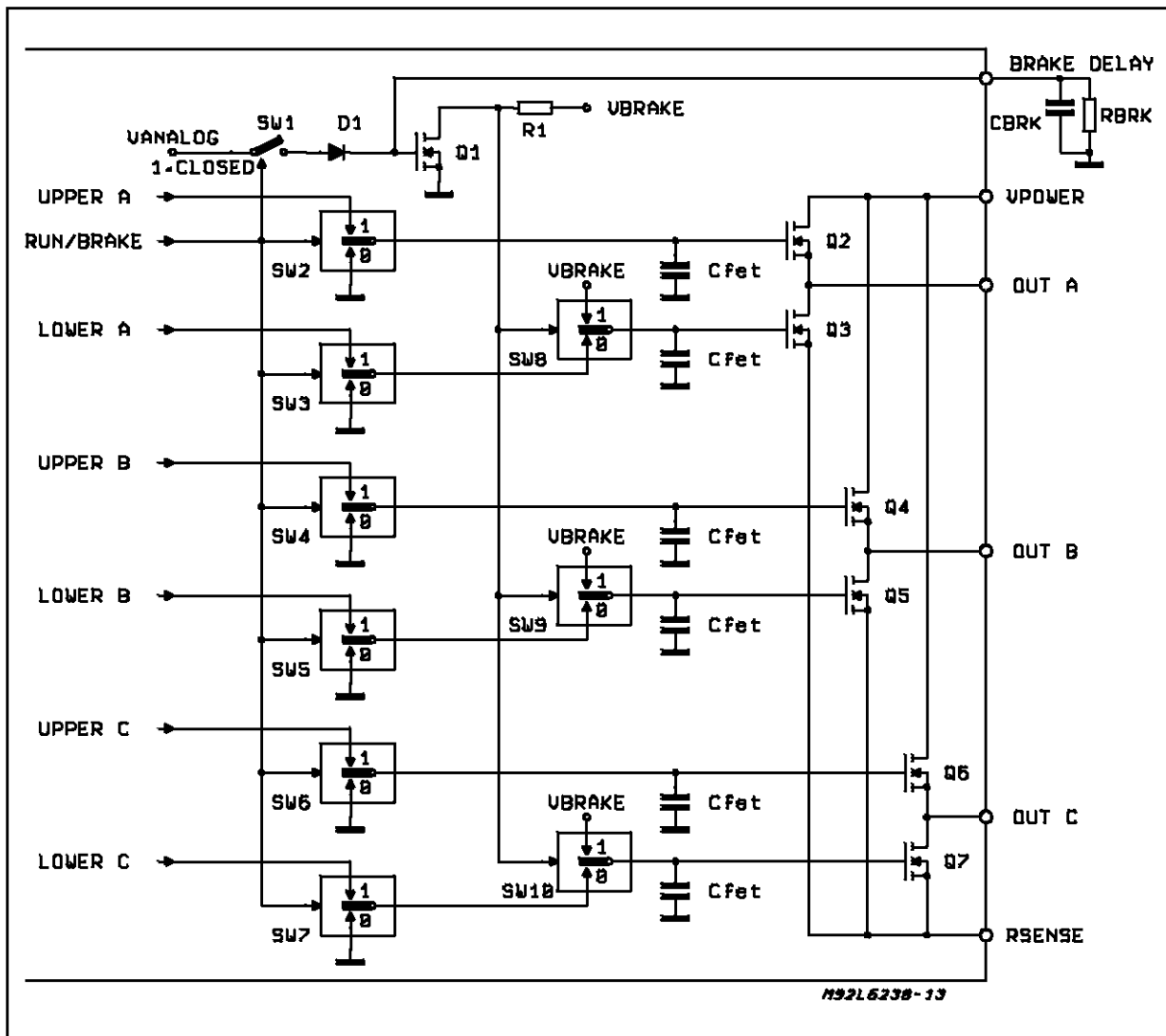
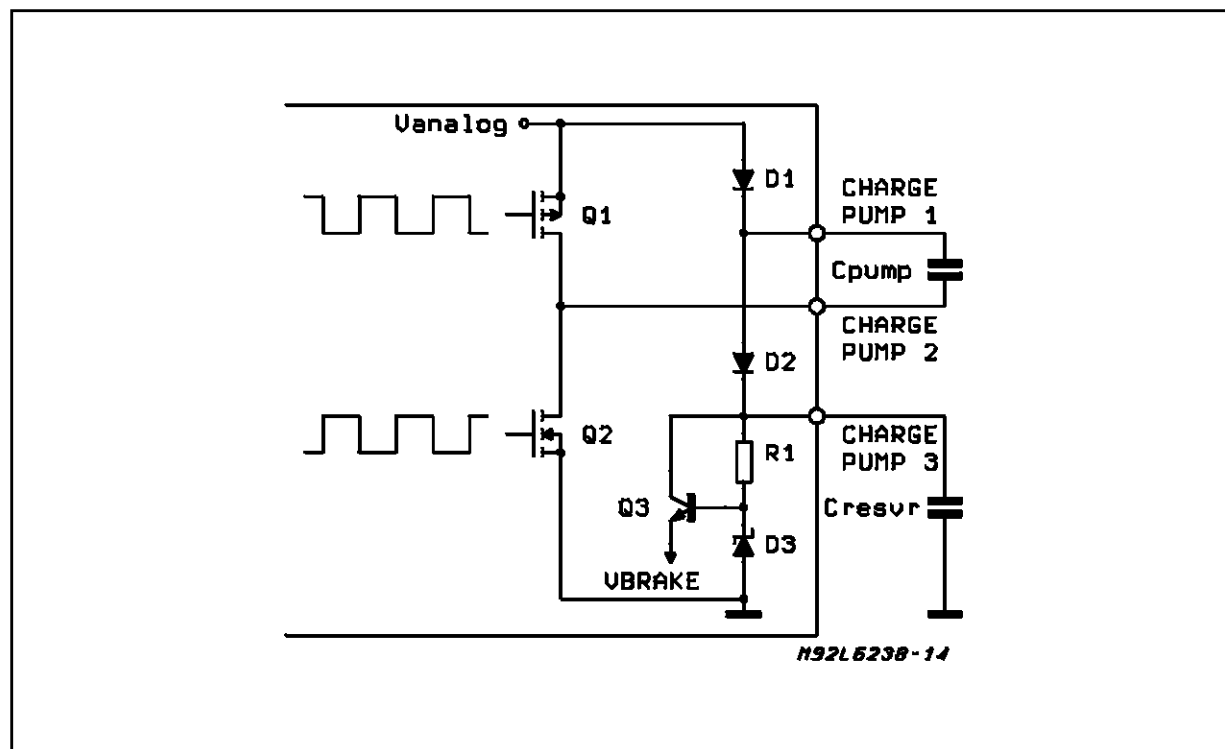


Figure 17: Charge Pump Circuit.



lower drivers in a brake mode if the analog supply is lost.

Figure 17 is a simplified schematic of the charge pump circuitry. A capacitor, C_{pump} , is used to retrieve energy from the analog supply and then "pumps" it into the storage capacitor, C_{resvr} . An internal 300kHz oscillator first turns ON Q2 to quickly charge C_{pump} to approximately the rail voltage. The oscillator then turns OFF Q2 while turning ON Q1. Since the bottom plate of C_{pump} is now effectively at the rail potential, C_{resvr} is charged to \sim twice the rail voltage via D2. A zener referenced series-pass regulator supplies a voltage, V_{brake} , during brake mode.

5.4 Output Current Control

The output current is controlled in a linear fashion via a transconductance loop. Referring to figure 18, the sourcing FET of one phase is forced into full conduction by connecting the gate to V_{pump} , while the sinking transistor of an appropriate phase operates as a transconductance element. To understand the current control loop, it will be assumed that Q2 in figure 18 is enabled via SW2 by the sequencer.

During a run condition, the current in Q2 is monitored by a resistor R_4 connected to the R_{sense} input. The resulting voltage that appears across R_4 is amplified by a factor of four by A3 and is sent to A2 where it is compared to the PLL error signal. A2 provides sufficient drive to Q2 in order to

maintain the motor speed at the proper level as commanded by the PLL.

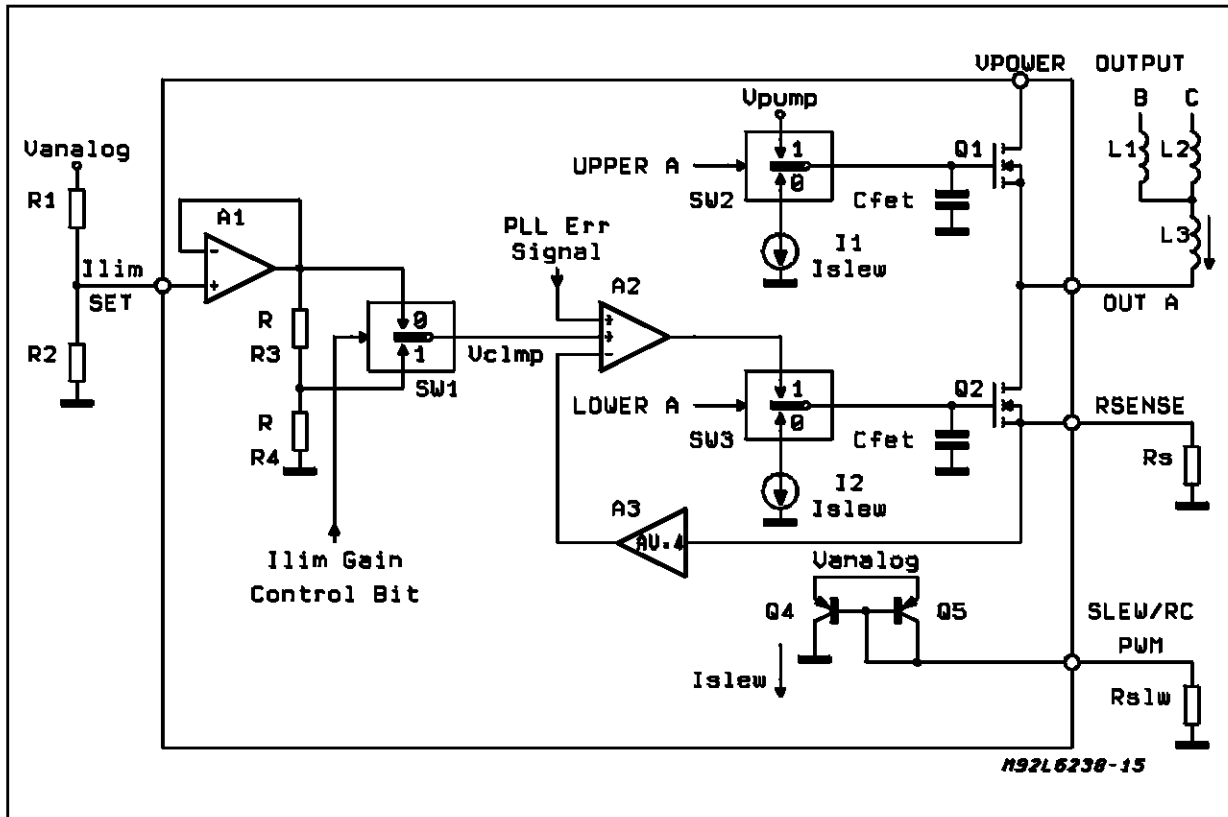
During initial start-up, the error signal from the output of the PLL Phase/Frequency Detector will be at compliance in order to quickly bring the motor up to correct speed. The motor current during this condition can be safely limited to a predetermined value by applying a voltage to the ILIM SET input.

The voltage at this input is buffered by A1 and sent to multiplexer, SW1. The output voltage of the multiplexer, V_{clmp} , is used to control the maximum non-inverting input voltage for amplifier A2. This multiplexer also receives a voltage that is 1/2 the ILIM SET value via a resistor divider connected to the buffer. Control bit *Ilim Gain* determines which voltage is available at the output of the multiplexer and allows a 2:1 change in the output current limit under software control.

For example, if the *Ilim Gain* control bit is set high, and 3.3V were applied to the ILIM SET input, then V_{clmp} would equal 1.65V. Since A3 has a voltage gain of 4, this would translate to a maximum sensed voltage at the R_{sense} input equal to 0.41V. If *Rslew* were selected to be 0.33 Ω , then the maximum output current would be limited to \sim 1.25A.

By setting the *Ilim Gain* control bit low, V_{clmp} now equals ILIM SET, and the clamped sensed voltage at the R_{sense} input would be doubled to 0.82V, allowing a maximum of 2.5A at the output.

Figure 18: Linear Control Loop.



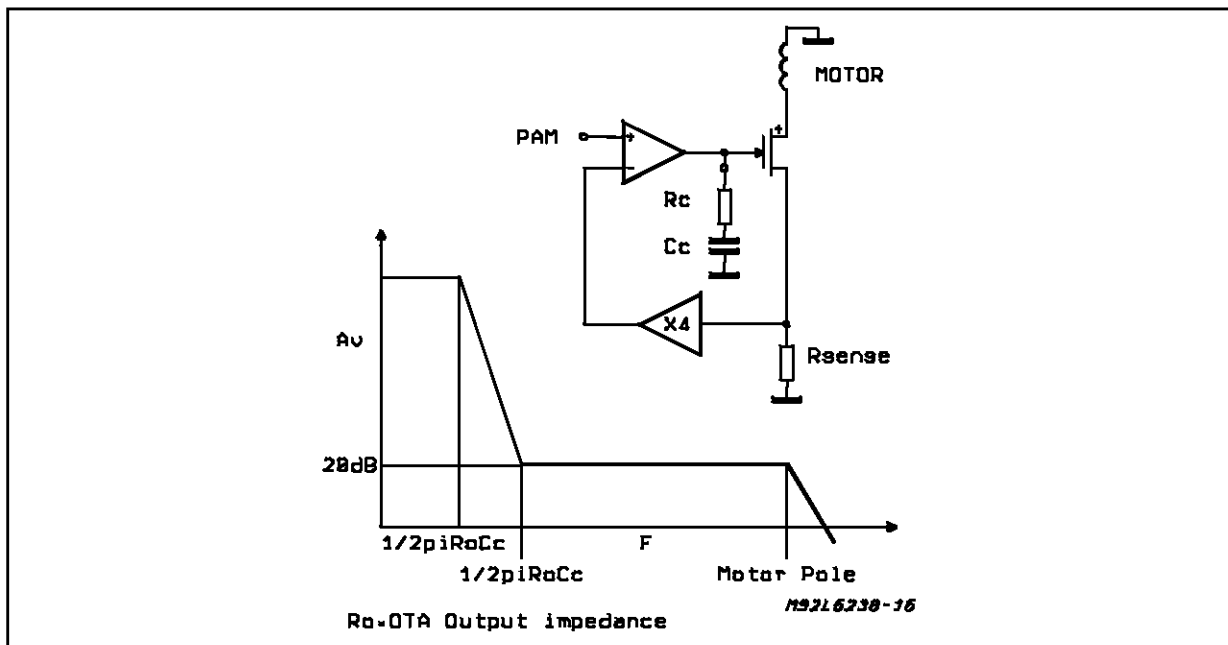
5.5 Transconductance Loop Stability

The RC network connected to the Compensation pin provides for a single pole/zero compensation scheme. The pole/zero locations are adjusted

such that a few dB of gain (typ. 20dB) remains in the transconductance loop at frequencies higher than the zero.

The inductive characteristic of the load provides

Figure 19: Control Loop Response.



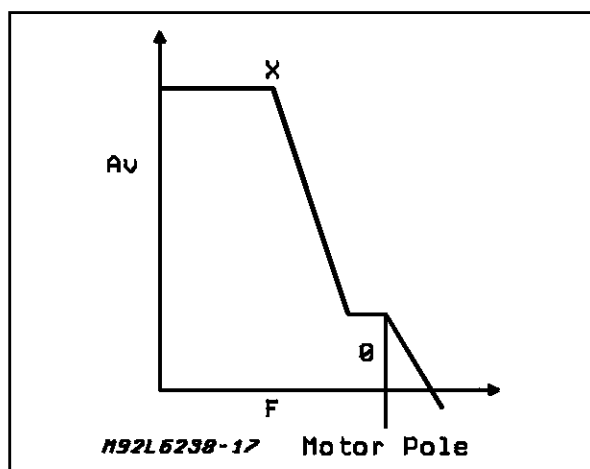
the pole necessary for loop stability. Thus the loop bandwidth is actually limited by the motor itself.

Figure 19 shows the complete transconductance loop including compensation, plus the response. The Bode plot depicts the normal way to achieve stability in the loop. The pole and zero are used to set a gain of 20dB at a higher frequency and the pole of the motor cuts the gain to achieve stability.

Loop instability may be caused by two factors:

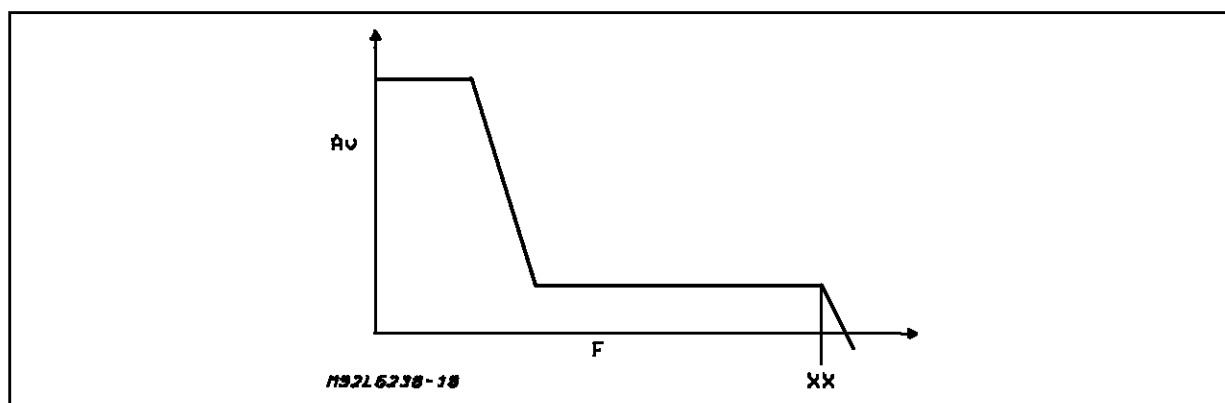
- 1)The motor pole is too close to the zero. Referring to figure 20, the zero is not able to decrement the shift of phase, and when the effect of the pole is present, the phase shift may reach 180° and the loop will oscillate. To rectify this situation, the pole/zero must be shifted at lower frequencies by increasing the compensation capacitor.

Figure 20: Motor Pole.



- 2)The motor capacitance, CM, itself can interfere with the loop, creating double poles. If the gain at higher frequencies is low, this double pole will not be able to reach a critical value due to its 40dB/decade slope. Figure 21 illustrates performance with low gain. All

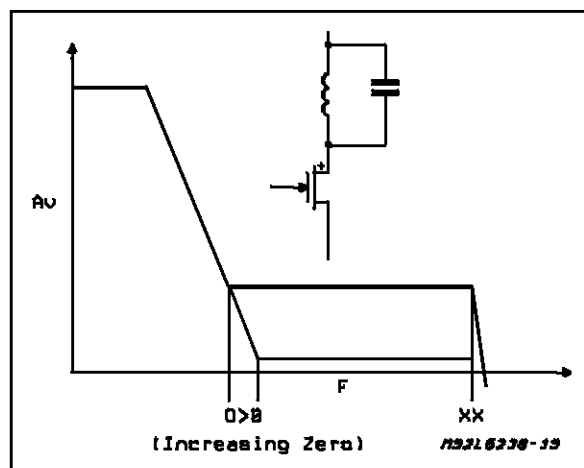
Figure 21: Effect of Cm.



though the gain decrease at a rate of 40dB/decade, the phase does not reach 180° of shift.

If the gain at higher frequencies is sufficiently high, the double pole slope of 40dB/decade can cause the phase shift to reach 180°, resulting in oscillation. Figure 22 is a Bode plot showing how to correct this situation. The bold line indicates the response with relatively high gain at the higher frequencies. By leaving the pole unchanged and increasing the zero, the response indicated by the dashed lines can be achieved.

Figure 22: Correct Compensation.



5.6 Slew Rate Control

A 3-phase motor appears as an inductive load to the power supply. The power supply sees a disturbance when one motor phase turns OFF and another turns ON because the FET turn-OFF time is much shorter than the L/R rise time. Abrupt FET turn-OFF without a proper snubbing circuit can even cause current recirculation back into the supply. However, the need for a snubber circuit can be eliminated by controlling the turn-OFF time of the FETs.

Referring back to figure 18, the rate at which the upper and lower drivers turn OFF is programmable via an external resistor, R_{slew} connected to the **SLEW RATE** pin. This resistor defines a current which is utilized internally to limit the voltage slew rate at the outputs during transition, thus minimizing the load change that the power supply sees.

Figure 23 is a plot of the slew rate that will be obtained as a function of the resistor connected to the **SLEW RATE** pin. The voltage at the this pin is typically 2.4V.

To insure proper operation the range of resistor values indicated should not be exceeded and in some applications values near the end points should be avoided as discussed below.

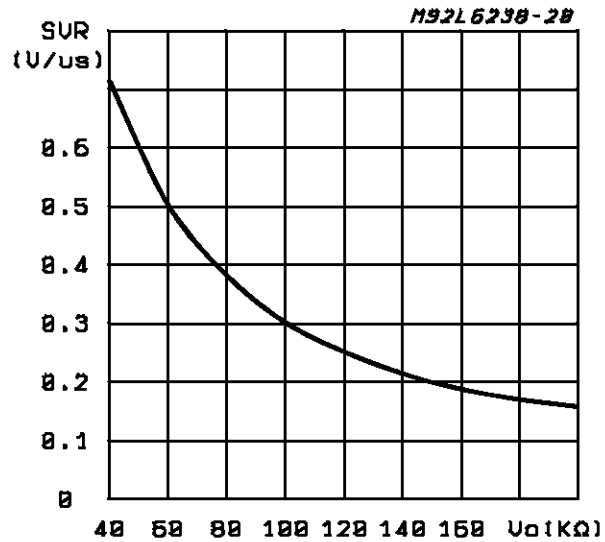
Low Values of R_{slew} - If a relatively low value of R_{slew} is selected, the resultant fast slew rate will result in increased commutation cross-over current, higher EMI, and large amount of commutation current.

This last case can cause voltage spikes at the output that can go as much as 1V below ground level. This situation must be avoided in this integrated circuit (as in most) since it causes unpredictable operation.

High Values of R_{slew} - Higher values of R_{slew} result of course in slow slew rates at the outputs which is, under most conditions, the desired case since the problems associated with fast rates are reduced. The additional advantage is lower acoustical noise.

Problems can occur though if the slew rate for a given application is too slow. Figure 5-10 is an oscillograph taken on a device that had a fairly large value for R_{slew} and failed to spin up and phase

Figure 23: Output Voltage Slew Rate vs R_{slew} .



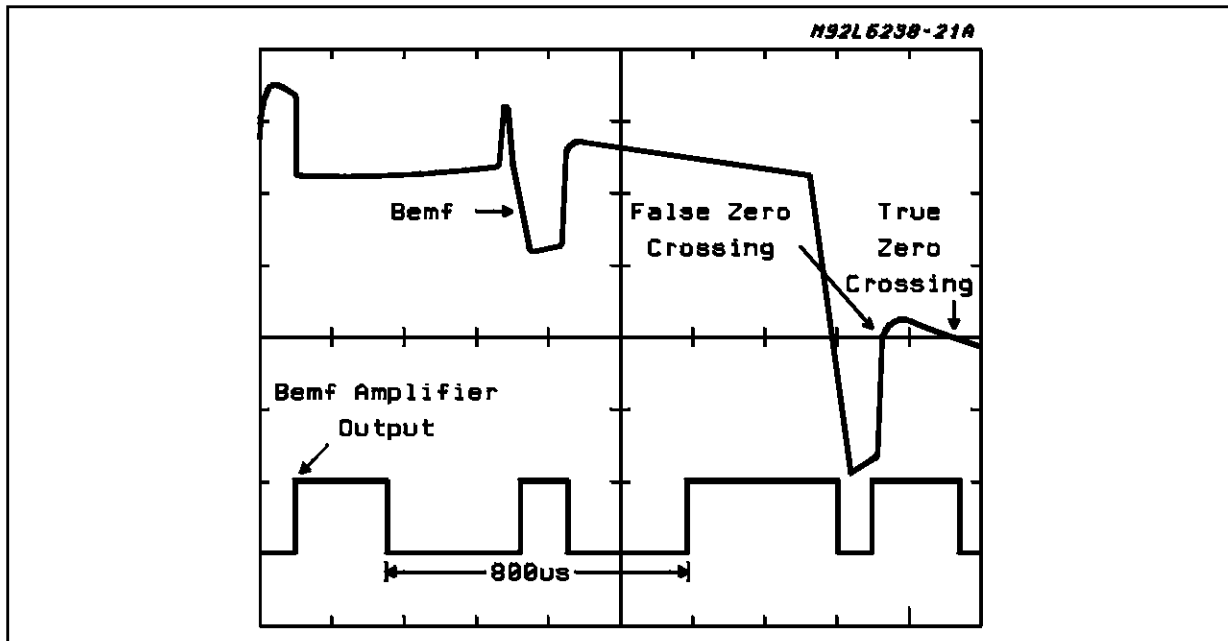
lock a motor.

The problem manifests itself as the motor begins to spin up. At lower RPMs, the B_{emf} of the motor is relatively small resulting in higher amounts of commutation current. In figure 24, the upper waveform is the voltage appearing at **OUTPUT** relative to the **CENTER TAP** input. The lower waveform is the actual output of the B_{emf} amplifier available on special engineering prototypes.

The oscillograph was taken just as the problem occurred. The period between zero crossings was $\sim 800\mu s$ resulting in a mask time period of $200\mu s$.

As can be seen, the excessively long slew rate

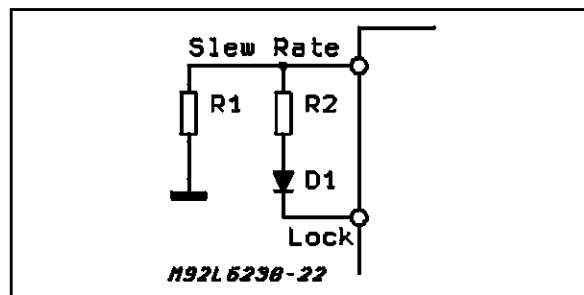
Figure 24: Effect of Slow Slew Rate.



actually exceeded the mask period and was detected as a zero crossing. This resulted in improper sequencing of the outputs relative to the proper phases and caused the motor to spin down.

If the application requires a slow rate of slew at the output, an external network can be connected as shown in figure 25. A resistor, R1 is selected to achieve the desired slew rate when the system is in phase lock. A second resistor, R2, in series with a diode, D1, is connected between the **SLEW RATE** pin, and the **LOCK** output. At start up, the **LOCK** output is low, and R2 is in parallel with R1 resulting in a faster slew rate. When lock is achieved, the **LOCK** output is high, and R2 is essentially disconnected from the circuit.

Figure 25: Dual Slew Rate.



paths are not shown for clarity. A3 also closes SW2 allowing A1 to linearly drive the external P-Channel FET Q1 via inverter A2.

5.7 Ext PFET Driver

The power handling capabilities of the 3 phase output stage can be extended with the addition of a single P-Channel FET.

Figure 26 shows the Ext FET connection and demonstrates how the L6238 automatically senses the FETs presence. When the voltage at the **Gate Drive** pin is $\geq 0.7V$, the output of comparator A3 goes high, removing the variable drive A1 from the internal FETs and connects them instead to V_{analog} via the commutation switches to facilitate full conduction. The upper FETs drive

5.8 BEMF Sensing

Since no Hall Effect Sensors are required, the commutation information is derived from the BEMF voltage zero-crossings of the undriven phase with respect to the center tap. The BEMF comparator and associated signal levels are depicted in figure 27. For reliable operation, the BEMF signal amplitude should be a minimum of $\pm 60\text{ mV}$ to be properly detected. In order to provide for noise immunity, internal hysteresis is incorporated in the detection circuitry to prevent false zero crossing detection.

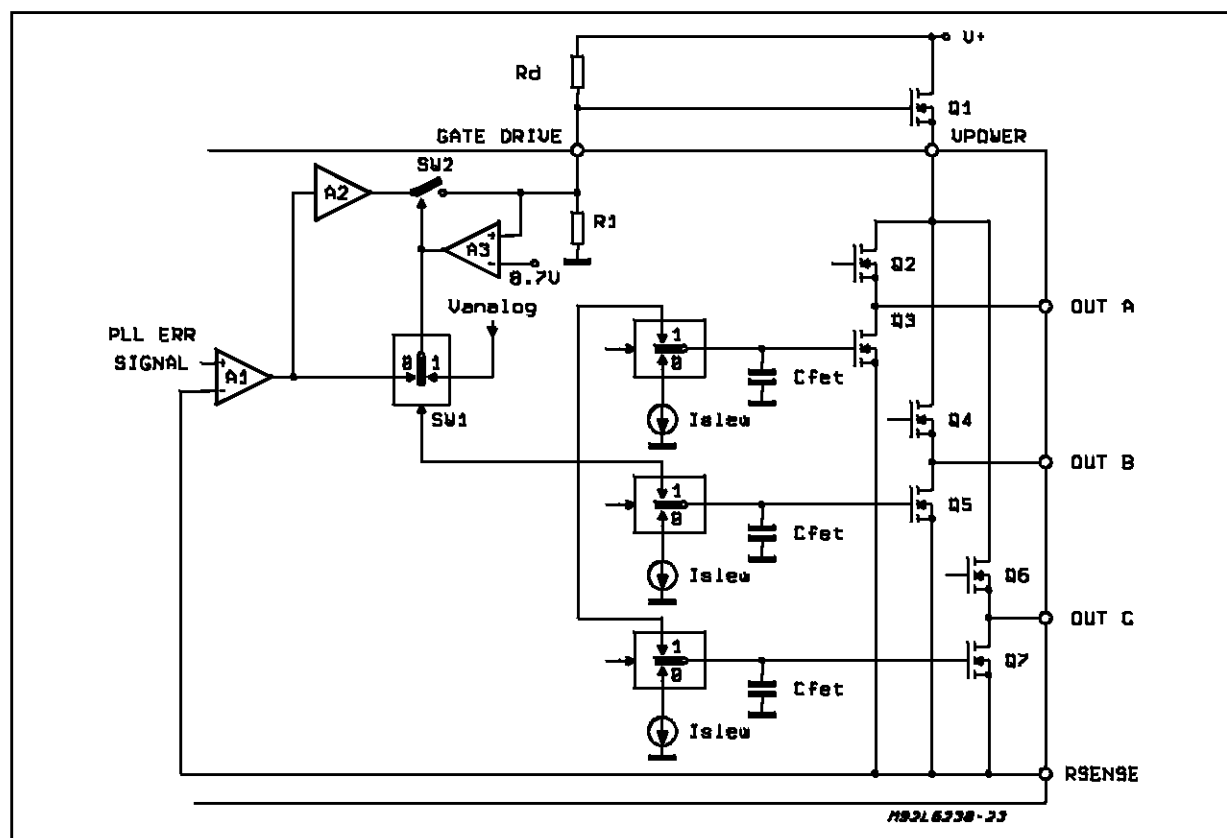
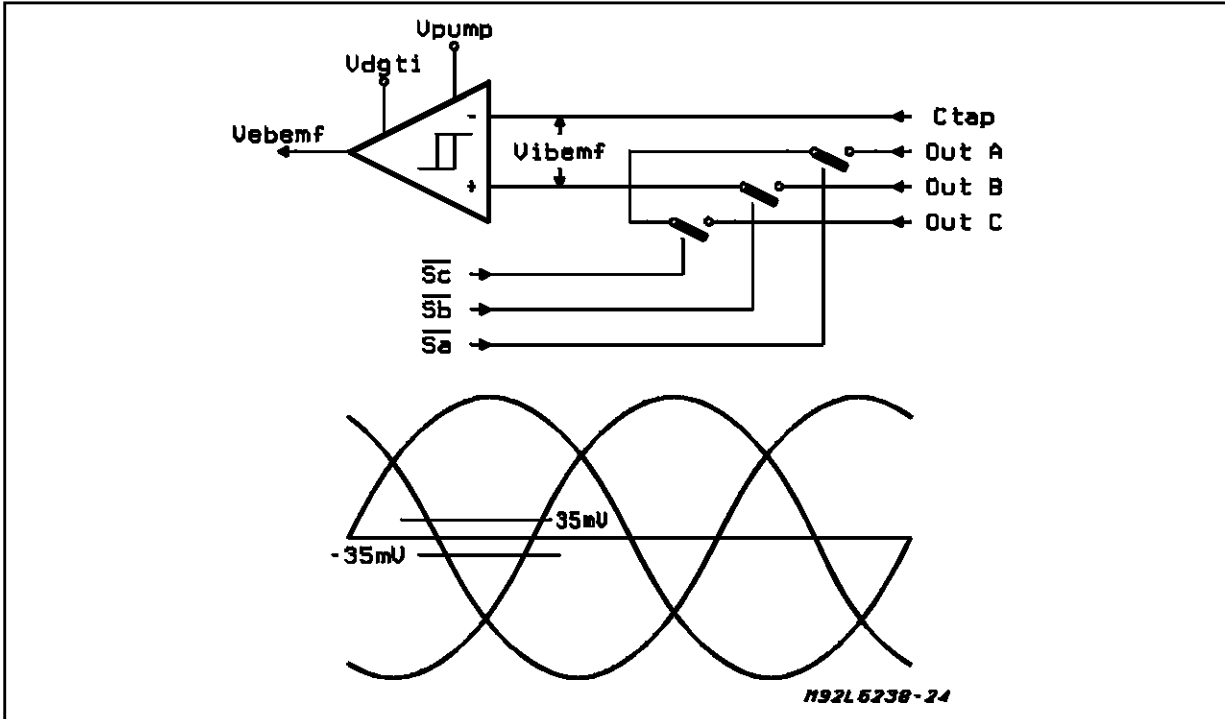


Figure 27: Bemf Amplifier.



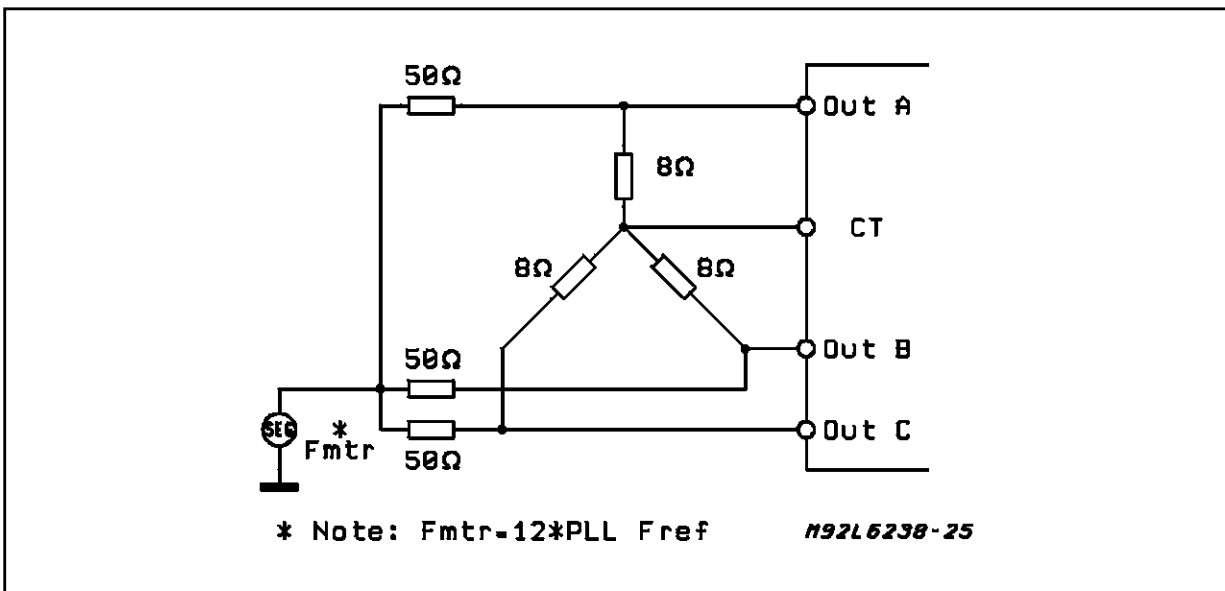
For laboratory evaluation purposes, a simple resistive network as shown in figure 28 can be used to emulate the Bemf of the motor.

The actual Bemf zero-crossing is 30 electrical degrees (50% of a commutation interval) away from the optimal switch point. A digital counter circuit measures 50% of the previous interval to determine the next interval's commutation delay from the zero crossing. During the low RPM stages of

start up the long commutation intervals may cause the counter to overflow, in which case 50% of the max count will be less than 50% of the ideal commutation interval. Therefore, the torque will not be optimal until the desired commutation interval is less than the dynamic range of the counter.

6.0 SERIAL PORT

Figure 28: Bemf Emulator.



6.1 Description

The L6238 contains a powerful serial port that may be optionally used to dramatically increase the functionality of the controller without significantly increasing the pin count. The serial port serves two primary functions:

1. Receive Control Information

A total of 16 bits of control information can be programmed via the serial port, in addition to the capabilities provided by external pins. By duplicating key serial port control functions at dedicated pins, the L6238 will still provide sufficient motor control for many applications, without the use of the serial port.

2. Provide Status Information

Certain status information is available only via the serial port, with additional information available at dedicated pins.

6.2 Block Diagram

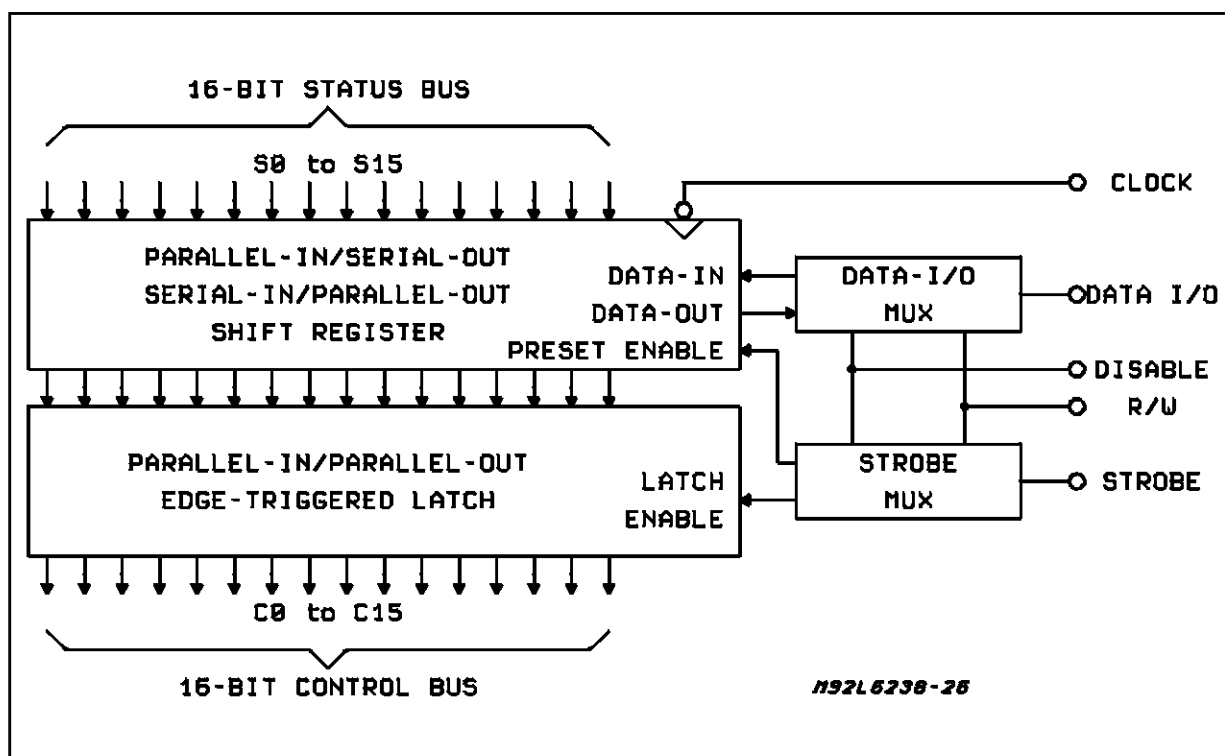
Figure 29 is a simplified block diagram of the serial port. It consists of a 16-bit shift register, a 16-bit latch, and some control logic. The serial port utilizes 5 pins to communicate with the outside world. They are:

Data I/O The data I/O pin enables 16 bits of data to flow in as control or out as status information.

Read/Write This pin selects read or write mode.

Clock Used to shift data in or out of the serial

Figure 29: Block Diagram.



port.

Disable If multiple controllers are connected for parallel operation, this signal can be used to select communication to a particular port. If the Serial Port is not used, the **PORT DISABLE** pin should be tied high.

Strobe The read operation is transparent. When the strobe is high, the data on the status bus flows through to the serial register. In a write operation, the loading of the control bits into the parallel control latch is an edge-triggered operation occurring on the rising edge of the strobe.

6.3 Functional Truth Table

Table 4 defines the states for the disable and R/W functions. If the disable pin is asserted high, the Data I/O pin is tristated to a High-Impedance state. The R/W pin determines whether the Data I/O pin is an input or an output.

The AC operating parameters of the serial port are defined in the Electrical Specifications.

Table 4: Truth Table.

Dis	R/W	Function
0	0	Write to Serial Port (Data I/O = Input)
0	1	Read to Serial Port (Data I/O = Output)
1	X	Chip Disabled (Data I/O = Hi Z)

6.4 Timing Diagrams

Figure 30 is the timing diagram for writing to the serial port. This diagram indicates the typical waveforms at the serial port and how they relate to one another when the **PORT DISABLE** pin is used. Two consecutive write cycles with key timing parameters are illustrated.

To initiate the write cycle, the **STROBE** and **R/W** signals are first brought low. After a minimum set-up time, T_{os} , the **PORT DISABLE** pin is set low. The clocking of the data can begin after a minimum settling time, T_{settle} has passed. The data is clocked into the register on the falling edge of the **PORT CLOCK**. After the 16th clock cycle and wait time T_{CSW} a strobe signal causes the data to be transferred to the 16-bit latch.

Additional timing parameters that are relevant concern the timing of the clock signal relative to the data stream. The time T_{ds} is the data set up

time, where the data must be stable before the falling edge of the clock. The Data Hold time, T_{dh} , is the minimum time that the data must be valid after the rising edge of the clock pulse.

The waveforms associated with reading from the serial port are similar to the write mode. The main difference is in the timing of the strobe pulse. Since there is a single port for both read and write, the strobe signal, in conjunction with the R/W signal insures proper data stream flow.

Referring to figure 31, the read mode is initiated by first asserting the **R/W** line high, while holding the strobe line low. The **PORT DISABLE** pin is then brought low. A pulse is now sent to the strobe pin that transfers the data on the Status Bus to the Shift Register. The falling edge of the strobe cannot occur earlier than the minimum settling time, T_{settle} . The data is shifted out on the

Figure 30: Write Timing Diagram.

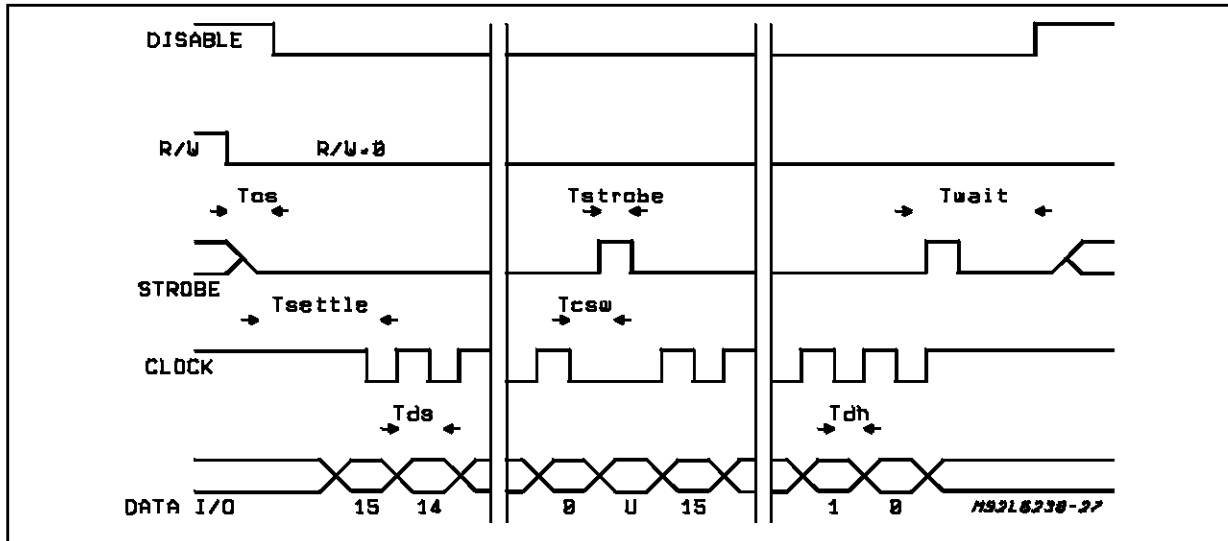
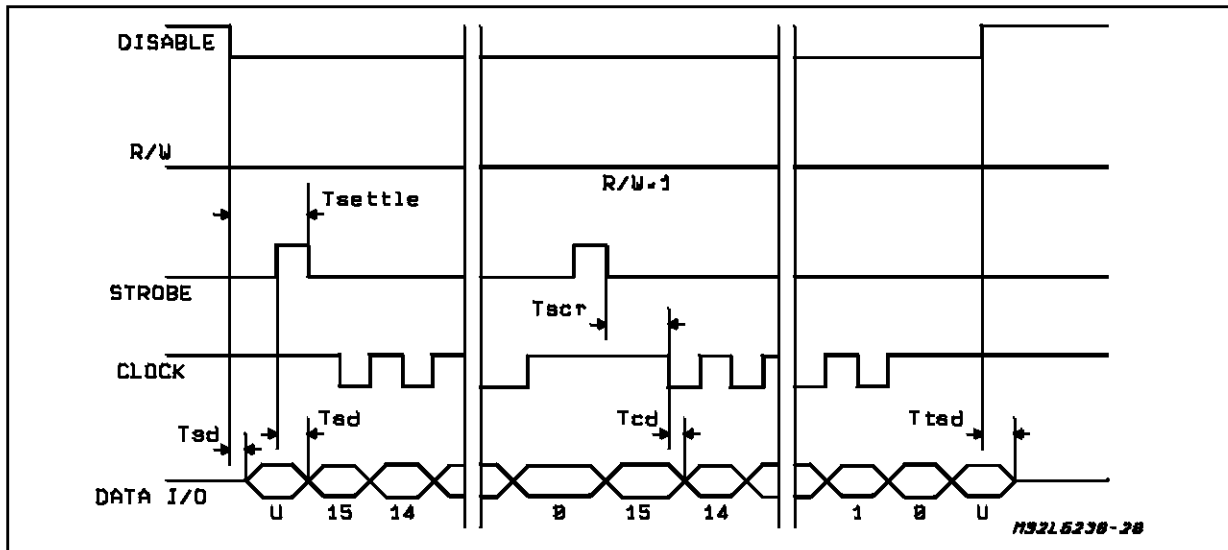


Figure 31: Read Timing Diagram.



I/O port at the falling edge of the port clock.

Figure 32 shows the proper waveforms that are applied to the appropriate serial port signal pins during a read to write transition. The strobe input in this case is held low. Time T_{tsd} is the Data I/O

Tri State Delay.

Figure 33 displays the timing diagram during a write to read operation.

6.5 Control Register

Figure 32: Read to Write Diagram.

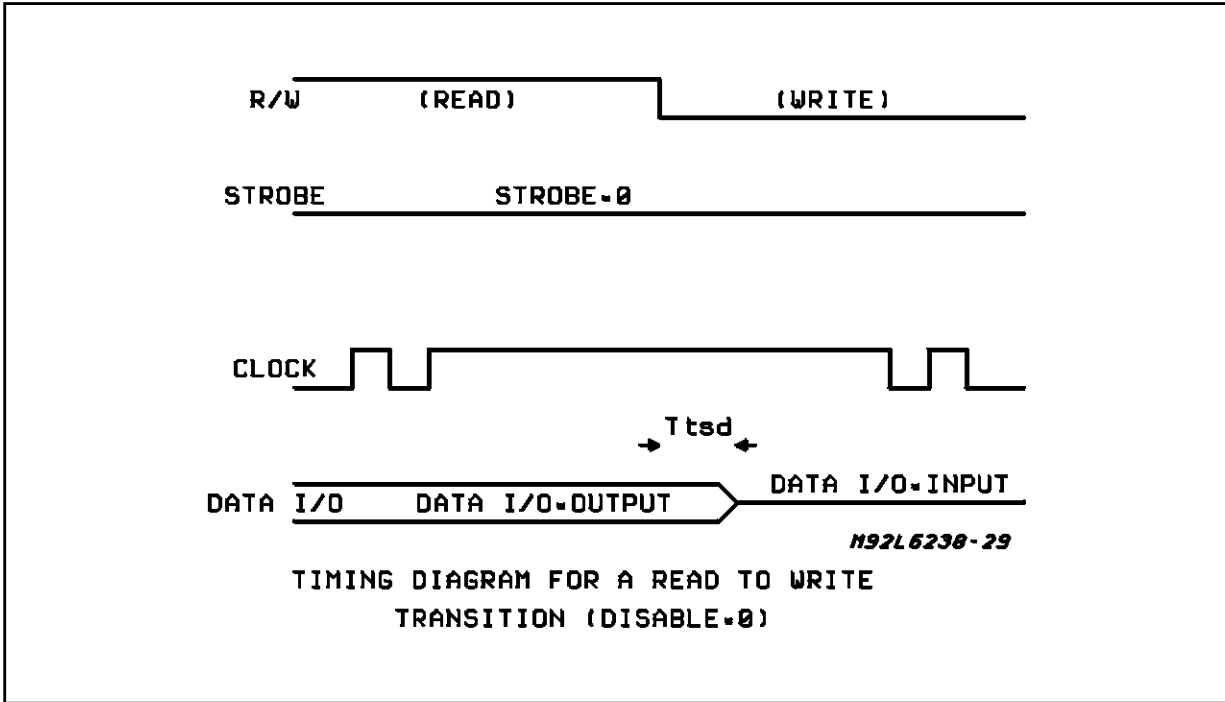


Figure 33: Write to Read Diagram.

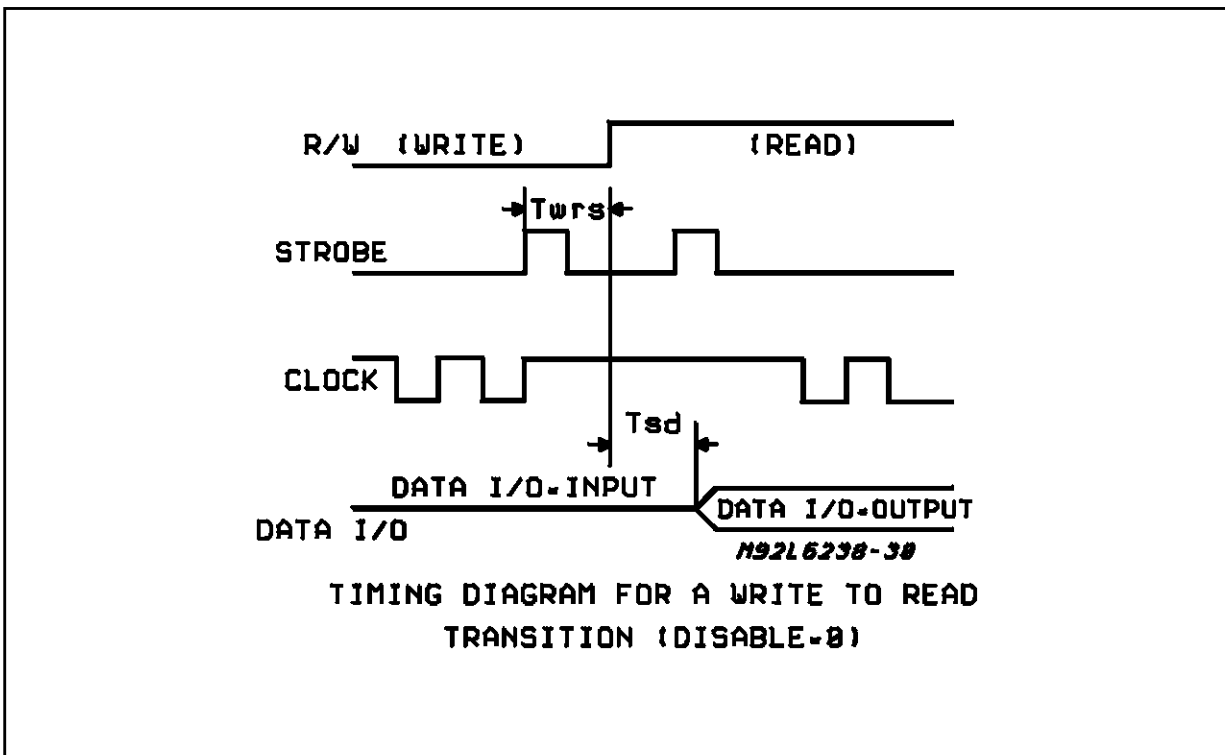


Table 5 lists the 16 available control bits along with a description and power up default values. Certain bits are replications of their external pin counterparts while others provide the means to "customize" the controller to match a unique application and are described in further detail below.

- Phase Delay** - A more efficient torque profile can be achieved by advancing the commutation angle to compensate for the L/R time constant. There are 3 bits in the serial port that are used to program the delay between the zero-crossing and the commutation point. Thus the user has the ability to use the motor more efficiently by programming the optimal delay. Table 6 is a mapping between the serial ports bits and the commutation delay.
 In selecting the phase delay, the amount of slew rate introduced must be considered, since the switching is effectively at the 50% points and this delay can be a significant contribution.
- Lock Threshold** - Bits 2 and 3 control the phase error window between the reference and the motor that must be met in order to allow the **LOCK** signal to go high. Four different

thresholds cover the range between 6.4 and 51.2 us as shown in Table 7.

- Auto Start Delay** - Table 8 lists the delays available for the Align & Go start up algorithm with values for 90Hz and 60Hz applications.

6.6 Status Register

The serial port also contains 16 bits that give useful information about the inner workings of the controller. Table 9 provides a functional description of each of the status bits. The status bits prove valuable during certain situations with one example highlighted below.

- Align +Go** - These 2 bits can be used to determine if a resync operation was successful or not. During a commanded resync, these bits will be initially high, and will stay high if the resync was successful. However, figure 34 shows the timing of these 2 bits during an unsuccessful resync where the *Go* bit goes low 419 ms after the resync command if no *Bemf* zero crossing is detected.

Figure 34: Failed Resync.

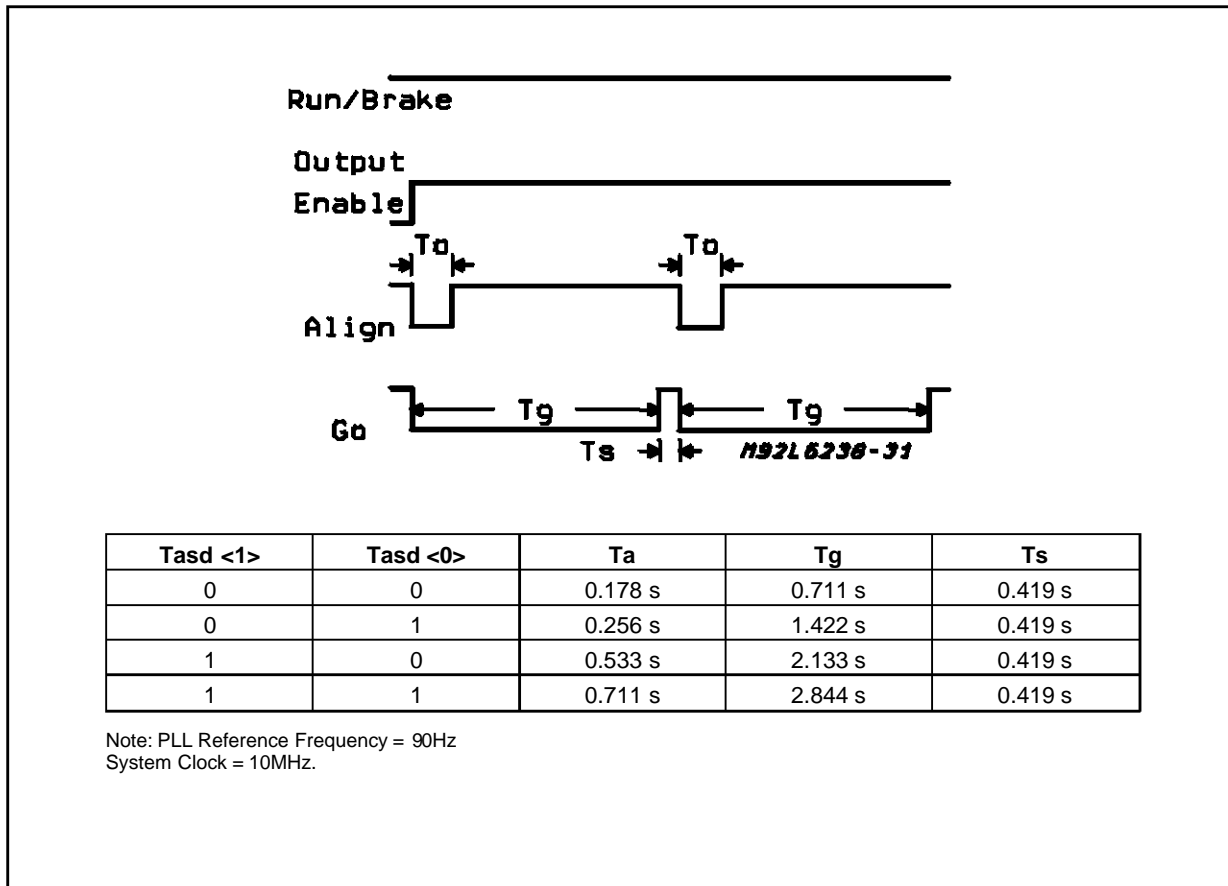


Table 5: Control Register.

Ctrl Bit #	Signal Name	Control Function Description	Logic	Default State
0	<i>Ext/Int</i>	Determines whether the once-per-revolution signal (used as the motor's feedback for speed) comes from internally generated source or is to be supplied externally as an input.	0 = Use Int Speed Fdbk 1 = Use Ext Speed Fdbk	0
1	<i>Fref Enable</i>	When enabled, passes external PLL fref to Phase Detector	0 = Enable 1 = Disable	0
2	<i>Lock_Thrsh_0</i>	Two bits that set the Lock Signal threshold in the Phase Detector	Refer to Table 7	1
3	<i>Lock_Thrsh_1</i>			1
4	<i>Linear</i>	Not used.	0 = Required	0
5	<i>Out_Ena</i>	Enables Output Drivers. When this signal is used to Tri-State the outputs, it also resets the resynchronization algorithm. This bit along with the OUTPUT ENABLE pin forms a logical AND function.	0 = Enable 1 = Disable	1
6	<i>Run/Brake</i>	When brought high, initiates the Align and Go algorithm. When low, Brake action occurs after the Brake Delay Timeout. This bit along with the RUN/BRAKE pin forms a logical AND function.	1 = Run 0 = Brake	1
7	<i>Seq_Reset</i>	Resets the sequencer to Phase 1. Reset when in Brake Mode.	1 = Reset 0 = Normal	0
8	<i>Auto/Ext</i>	Selects either the Internal Auto Start-Up or External Algorithm.	1 = Auto 0 = External	1
9	<i>Seq_Incr</i>	Increments sequencer	1 = Mask Bemf 0 = Normal	0
10	<i>Phase_Delay_0</i>	Three bits that set the Delay between the detection of the Bemf zero crossing and the commutation to the next phase.	Refer to Table 6	1
11	<i>Phase_Delay_1</i>			0
12	<i>Phase_Delay_2</i>			1
13	<i>Auto_Str_Dly_0</i>	These 2 Bits define 4 possible delays for Auto Start-Up Algorithm.	Refer to Table 8	1
14	<i>Auto_Str_Dly_1</i>			1
15	<i>IlLim_Gain</i>	Programs the I Limit for either the value set by ILIM SET or /2	0 = Ilimit 1 = Ilimit/2	0

Table 6: Phase Delay.

<i>Phase_Dly_2</i>	<i>Phase_Dly_1</i>	<i>Phase_Dly_0</i>	Delay, in Electrical Degrees
0	0	0	0.0
0	0	1	9.4
0	1	0	18.80
0	1	1	20.68
1	0	0	22.56
1	0	1	24.44 (Default)
1	1	0	26.32
1	1	1	28.20

Table 7: Lock Threshold (Fsys = 10MHz)

<i>Lock_1</i>	<i>Lock_0</i>	Threshold, in μ s
0	0	6.4
0	1	12.8
1	0	25.6
1	1	51.2 (Default)

Table 8: Auto-Start Delay.

<i>Auto_Start_Dly_1</i>	<i>Auto_Start_Dly_0</i>	Delay, in Seconds	
		90Hz Input	60Hz Input
0	0	0.711	1.07
0	1	1.422	2.13
1	0	2.133	3.2
1	1	2.844	4.27 (Default)

Table 9: Status Register.

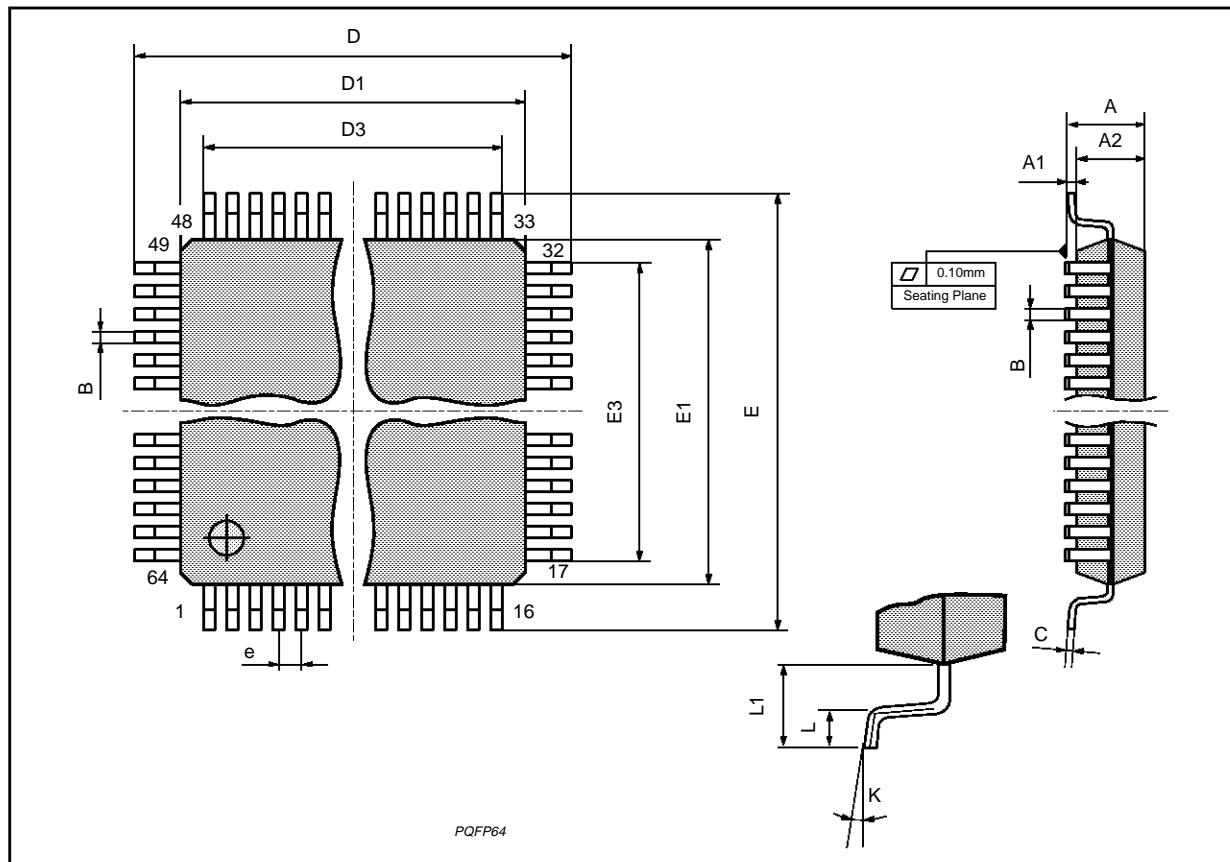
Status Bit #	Signal Name	Control Function Description	Logic	Default State
0	<i>Control_0</i>	These two bits are a wrap-around of their corresponding control bits for test purposes.	Follows <i>Control_0</i>	0
1	<i>Control_1</i>		Follows <i>Control_1</i>	0
2	<i>Mask</i>	When the motor controller detects a zero crossing, <i>Mask</i> will go low and remain low for 15 electrical degrees <u>after</u> the next commutation.	1 = Detect Bemf 0 = Mask out Bemf	1/0
3	<i>Delay</i>	Upon detection of a zero crossing, <i>Delay</i> will go high for a time determined by the <i>Phase Delay</i> Control bits. After the delay period, <i>Delay</i> will go low, initiating the next commutation.	1 = Delay 0 = Commutation	0/1
4	<i>Go</i>	Signifies whether the rotor is in the alignment phase of start-up or is ramping up to speed	1 = Run 0 = In Start Up	1
5	<i>Align</i>	Separates the align		

Table 9 (continued)

Status Bit #	Signal Name	Control Function Description	Logic	Default State
5	<i>Align</i>	Separates the alignment times during start-up. While low, the rotor will align to phase 1. When high, the rotor will align to phase 3 until placed in the Go mode.	1 = 2nd Alignment 0 = 1st Alignment	1
6	<i>Dn</i>	Indication of motor Phase relative to Fref. (Must be used in conjunction with <i>Up</i>).	1 = Phase > 0 0 = Phase ≤ 0	1
7	<i>Up</i>	Indication of motor Phase relative to Fref. (Must be used in conjunction with <i>Dn</i>).	1 = Phase > 0 0 = Phase ≥ 0	0
8	<i>Updn</i>	Indicates whether the motor's frequency is greater or less than the reference frequency.	1 = Fref > Fmtr 0 = Fref < Fmtr	1
9	<i>Lock</i>	Determines if Phase Difference is within threshold limits as set by control bits.	1 = In Phase 0 = Out of Phase	0
10	<i>Spin_Sense</i>	This bit toggles at the zero crossing	Toggles	0
11	<i>Stkrtr</i>	Detects a fault due to motor failing to spin. If upon entering the Go mode after the double align, no generated Bemf is detected, a 419ms timer, (Fsystem = 10MHz) will cause the outputs to tri-state and flag a fault.	1 = Normal 0 = Fault	1
12	<i>IntFmtr</i>	This signal cycles once every revolution, providing a source of feedback for the phase detector to lock onto. This signal is not used when EXT/INT or <i>Ext/Int</i> are a logic 1.	1 cycle = 1 revolution	0
13	<i>OTshdown</i>	Indicates an overtemperature fault. Output stage tristates.	1 = Normal 0 = Overtemp	1
14	<i>OTwarn</i>	Early overtemperature warning signal.	1 = Normal 0 = Overtemp	1
15	<i>Mono</i>	Indicates a fault due to a rapid deceleration of the rotor caused by a sudden frictional loading.	1 = Normal 0 = Fault	1

PLCC44 PACKAGE MECHANICAL DATA

DIM.	mm			inch		
	MIN.	TYP.	MAX.	MIN.	TYP.	MAX.
A	17.4		17.65	0.685		0.695
B	16.51		16.65	0.650		0.656
C	3.65		3.7	0.144		0.146
D	4.2		4.57	0.165		0.180
d1	2.59		2.74	0.102		0.108
d2		0.68			0.027	
E	14.99		16	0.590		0.630
e		1.27			0.050	
e3		12.7			0.500	
F		0.46			0.018	
F1		0.71			0.028	
G			0.101			0.004
M		1.16			0.046	
M1		1.14			0.045	



Information furnished is believed to be accurate and reliable. However, SGS-THOMSON Microelectronics assumes no responsibility for the consequences of use of such information nor for any infringement of patents or other rights of third parties which may result from its use. No license is granted by implication or otherwise under any patent or patent rights of SGS-THOMSON Microelectronics. Specifications mentioned in this publication are subject to change without notice. This publication supersedes and replaces all information previously supplied. SGS-THOMSON Microelectronics products are not authorized for use as critical components in life support devices or systems without express written approval of SGS-THOMSON Microelectronics.

© 1994 SGS-THOMSON Microelectronics - All Rights Reserved

SGS-THOMSON Microelectronics GROUP OF COMPANIES

Australia - Brazil - France - Germany - Hong Kong - Italy - Japan - Korea - Malaysia - Malta - Morocco - The Netherlands - Singapore - Spain - Sweden - Switzerland - Taiwan - Thailand - United Kingdom - U.S.A.